

CMT ORANGE
TOOLS®



CMT11

300W
Oscillating Multi-tool

OPERATING INSTRUCTIONS
MANUAL DE INSTRUCCIONES
INSTRUCTIONS D'EMPLOI
ISTRUZIONI D'USO
BEDIENUNGSANLEITUNG
INSTRUKCJA OBSŁUGI
ИНСТРУКЦИЯ ПО ЭКСПЛУАТАЦИИ

FIG. A

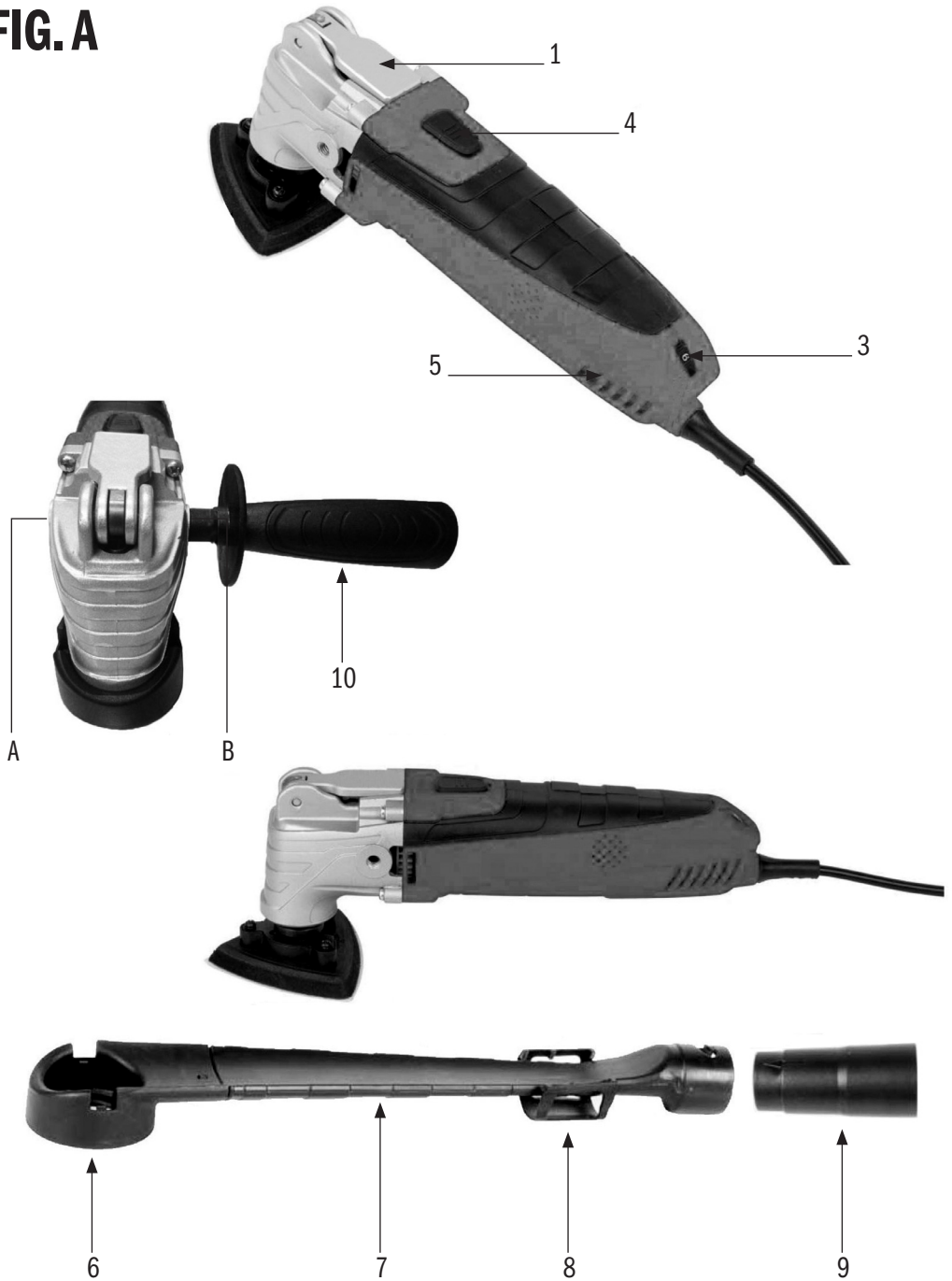


FIG. 1

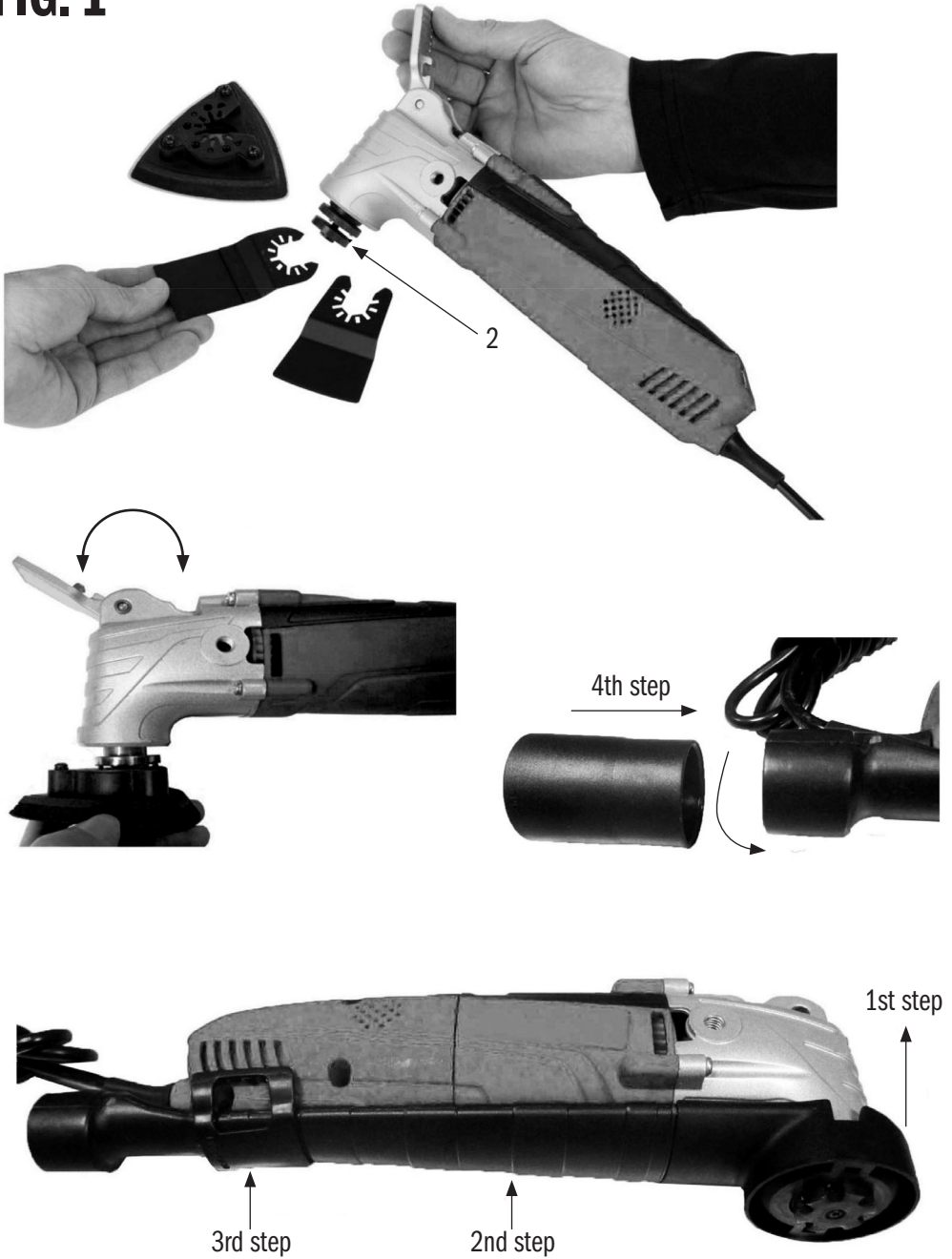


FIG. 2

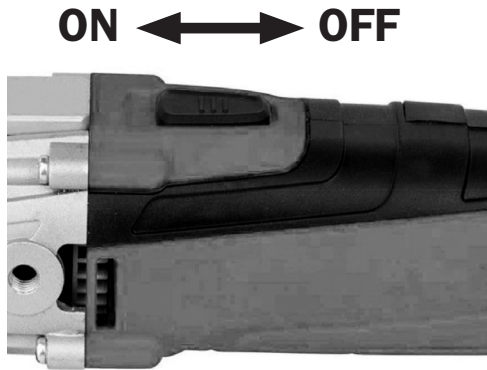
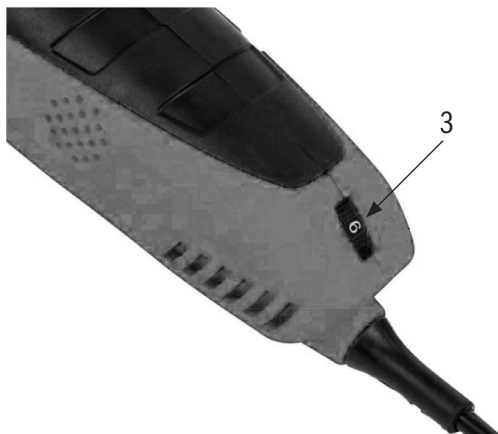


FIG. 3



1	APPLICATION	7
2	DESCRIPTION (FIG.A).....	7
3	PACKAGE CONTENT LIST.....	7
4	SYMBOLS	7
5	GENERAL POWER TOOL SAFETY WARNINGS	8
	5.1 Working area	8
	5.2 Electrical safety	8
	5.3 Personal safety	8
	5.4 Power tool use and care	8
	5.5 Service	9
6	MACHINE-SPECIFIC SAFETY WARNINGS	9
7	ASSEMBLY	9
	7.1 Mounting sanding plate saw blade/ spatula (Fig. 1)	9
	7.2 Mounting/changing the sand paper	10
	7.3 Mounting dust extraction hose	10
8	OPERATION	10
	8.1 Switching ON/OFF (Fig. 2)	10
	8.2 Speed adjusting (Fig. 3)	10
	8.3 Application tips	10
	8.3.1 Selecting the Application Tool/Accessory	10
	8.3.2 Sawing	10
	8.3.3 Sanding	10
	8.3.4 Scraping	11
9	CLEANING AND MAINTENANCE	11
10	TECHNICAL DETAILS	11
11	NOISE	11
12	WARRANTY	11
13	ENVIRONMENT	11
14	DECLARATION OF CONFORMITY	12

1. APPLICATION

Depending on which accessory mounted this power tool is intended for dry sanding small areas and for sawing, scraping polishing, rasping, cutting and separating.



WARNING! Read this manual and general safety instructions carefully before using the appliance, for your own safety. Your power tool should only be passed on together with these instructions.

2. DESCRIPTION (FIG. A)

1. Quick release lever
2. Quick release clamp
3. Oscillation frequency controller
4. On/Off switch
5. Vent holes
- 6, 7, 8, 9. Dust extraction hose & holder
10. Handle (it can be installed into A or B)

3. PACKAGE CONTENT LIST

- 1 x Multi-use tool
- 1 x Handle
- 1 x Vacuum hose
- 1 x Manual
- 1 x Carry Case

- Remove all packaging materials.
- Remove remaining packing and package inserts (if included).
- Check that the package contents are complete.
- Check the appliance, the power cord, the power plug and all accessories for transportation damage.
- Keep the packing materials as far as possible till the end of the warranty period. Dispose it into your local waste disposal system afterwards.



WARNING: Packaging materials are not toys! Children must not play with plastic bags! Danger of suffocation!

If any parts are missing or damaged, please contact your dealer.



4. SYMBOLS

In this manual and/or on the machine the following symbols are used:



Denotes risk of personal injury or damage to the tool.



Read manual before use



Wear noise protection



Wear eye protection



In accordance with essential requirements of the European directive(s)



Wear a mask In dusty conditions



« Class II - The machine is double insulated; Earthing wire is therefore not necessary. »

5. GENERAL POWER TOOL SAFETY WARNINGS



WARNING Read all safety warnings and instructions. Failure to heed warnings and follow the instructions may result in electric shock, fire and/or serious injury.

Save all warnings and instructions for future reference! The term “power tool” in the safety warnings refers to your mains-operated (corded) power tool or battery-operated (cordless) power tool.

5.1) Work area safety

- a) Keep work area clean and well lit. Cluttered or dark areas invite accidents.
- b) Do not operate power tools in explosive atmospheres, such as in the presence of flammable liquids, gases or dust. Power tools create sparks which may ignite the dust or fumes.
- c) Keep children and bystanders away while operating a power tool. Distractions can cause you to lose control of it.

5.2) Electrical safety

- a) Power tool plugs must match the outlet. Never modify the plug in any way. Do not use any adapter plugs with earthed (grounded) power tools. Unmodified plugs and matching outlets will reduce risk of electric shock.
- b) Avoid body contact with earthed or grounded surfaces, such as pipes, radiators, kitchen ranges and refrigerators. There is an increased risk of electric shock if your body is earthed or grounded.
- c) Do not expose power tools to rain or wet conditions. Water entering a power tool will increase the risk of electric shock.
- d) Do not damage the cord. Never use the cord for carrying, pulling or unplugging the power tool. Keep cord away from heat, oil, sharp edges or moving parts. Damaged or entangled cords increase the risk of electric shock.
- e) When operating a power tool outdoors, use an extension cord suitable for outdoor use. Use of a cord suitable for outdoor use reduces the risk of electric shock.
- f) If operating a power tool in a damp location is unavoidable, use a residual current device (RCD) protected supply. Using of an RCD reduces the risk of electric shock.

5.3) Personal safety

- a) Stay alert, watch what you are doing and use common sense when operating a power tool. Do not use a power tool while you are tired or under the influence of drugs, alcohol or medication. A moment of inattention while operating power tools may result in serious personal injury.
- b) Use personal protective equipment. Always wear eye protection. Protective equipment such as dust mask, non-skid safety shoes, hard hat, or hearing protection used for appropriate conditions will reduce personal injuries.
- c) Prevent unintentional starting. Ensure the switch is in the off-position before connecting to power source and/or battery pack, picking up or carrying the tool. Carrying power tools with your finger on the switch or energising power tools that have the switch on invites accidents.
- d) Remove any adjusting key or wrench before turning the power tool on. A wrench or a key left attached to a rotating part of the power tool may result in personal injury.
- e) Do not overreach. Keep proper footing and balance firmly at all times. This enables better control of the power tool in unexpected situations.
- f) Dress properly. Do not wear loose clothing or jewellery. Keep your hair, clothing and gloves away from moving parts. Loose clothes, jewellery or long hair can be caught in moving parts.
- g) If devices are provided for the connection of dust extraction and collection facilities, ensure these are connected and properly used. Use of dust collection can reduce dust-related hazards.

5.4) Power tool use and care

- a) Do not force the power tool. Use the correct power tool for your application. The correct power tool will do the job better and safer at the rate for which it was designed.

- b) Do not use the power tool if the switch does not turn it on and off. Any power tool that cannot be controlled with the switch is dangerous and must be repaired.
- c) Disconnect the plug from the power source and/or the battery pack from the power tool before making any adjustments, changing accessories, or storing power tools. Such preventive safety measures reduce the risk of starting the power tool accidentally.
- d) Store idle power tools out of the reach of children and do not allow persons unfamiliar with the power tool or these instructions to operate the power tool. Power tools are dangerous in the hands of untrained users.
- e) Maintain power tools. Check for misalignment or binding of moving parts, breakage of parts and any other condition that may affect the power tool's operation. If damaged, have the power tool repaired before use. Many accidents are caused by poorly maintained power tools.
- f) Keep cutting tools sharp and clean. Properly maintained cutting tools with sharp cutting edges are less likely to bind and are easier to control.
- g) Use the power tool, accessories and tool bits etc. in accordance with these instructions, taking into account the working conditions and the work to be performed. Use of the power tool for operations different from those intended could result in a hazardous situation.

5.5) Service

Have your power tool serviced by a qualified repair person using only identical replacement parts. This will ensure that the safety of the power tool is maintained.

6. MACHINE-SPECIFIC SAFETY WARNINGS

- Use the machine only for dry sanding. Penetration of water into the machine increases the risk of an electric shock.
- Keep hands away from the sawing range. Do not reach under the workpiece. Contact with the saw blade can lead to injuries.
- Use suitable detectors to determine if utility lines

are hidden in the work area or call the local utility company for assistance. Contact with electric lines can lead to fire and electric shock. Damaging a gas line can lead to explosion. Penetrating a water line causes property damage or may cause an electric shock.

- When working with the machine, always hold it firmly with both hands and provide for a secure stance. The power tool is guided more secure with both hands.
- Secure the workpiece. A workpiece clamped with clamping devices or in a vice is held more secure than by hand.
- Keep your workplace clean. Blends of materials are particularly dangerous. Dust from light alloys can burn or explode.
- Wear protective gloves when changing application tools/accessories.
- Application tools/ accessories become hot after prolonged usage.
- Do not scrape wetted materials (e. g. wallpaper) or on moist surfaces. Penetration of water into the machine increases the risk of an electric shock.
- Do not treat the surface to be worked with solvent-containing fluids. Materials being warmed up by the scraping can cause toxic vapours to develop.
- Exercise extreme caution when handling the scraper. The accessory is very sharp; danger of injury.

7. ASSEMBLY



WARNING: Always check that the power supply corresponds to the voltage on the rating name-plate. Remove the power tool from the packaging. Do not plug it into the electrical grid before assembly.

7.1) Mounting sanding plate/ saw blade/ spatula (Fig. 1) (Not Included)



WARNING: Prior to assembly and adjustment always pull out the power plug from the mains socket.

Take care with sharp tools such as spatulas, saw blades or cutting blades.

- Loosen the clamping plate (2) by pulling the quick-release lever (1) completely open.
- Hold the opening of the quick-install saw blade, sanding plate or spatula toward the output spindle which between cover clamp and clamping plate, push the accessory in and place it firmly onto the locating pins.
- Fasten using the quick-release lever (1) at the lock position as shown in the Fig. 1.
- Remove the accessory in the opposite way.



WARNING: Do not use any unmatched accessories.



WARNING: Check the tight seating of the application tool/accessory. Incorrect or not securely fastened application tools/accessories can come loose during operation and pose a hazard.

7.2) Mounting/changing the sand paper (Not Included)

With fast hook and loop fixation.

- Position the sand paper and press by hand.
- Press on the sand paper by giving it a short, firm push against the flat surface of sanding plate (8) and switch on the power tool.

This ensures good adhesion and prevents premature wear.

- If the point has become worn, pull off the sand paper, turn it through 120° and place it on again, or change the sanding paper.

7.3) Mounting dust extraction hose

As shown in the Fig. 1.

8. OPERATION

8.1) Switching ON/OFF (Fig.2)

First check that the cable and plug are not damaged.

- Connect the plug to the power supply.
- Switching the power tool ON: slide ON/OFF switch button (4) forward onto position (I).
- Switching the power tool OFF: slide ON/OFF switch button (4) backward onto position (O).

8.2) Speed adjusting (Fig. 3)

The tool can be set at 6-speed adjustment positions. The “1” position indicates the lowest and the “6” position indicates the highest speed, you can adjust different speed by turning the speed control dial (3) from “1” to “6” position. The operator may have to vary the speed to optimize working efficiency.

8.3) Application tips

8.3.1) Selecting the Application Tool/Accessory

Accessory	Material
Plunge cut saw blade wood	Wooden materials, plastic, gypsum and other soft materials.
Shovel blade	Wood, paint, carpet adhesive, silicone and other elastic materials.
Base plate for sanding	Depends on sanding sheet.

8.3.2) Sawing



Use undamaged faultless saw blades only. Deformed, blunt saw blades or saw blades that are otherwise damaged can break.



Plunge cuts may only be applied to soft materials, such as wood, gypsum plaster boards, etc.!

Before sawing with saw blades in wood, particle board, building materials, etc., check these for foreign objects such as nails, screws, or similar. If required, remove foreign objects or use saw blades for metal.

8.3.3) Sanding

The removal rate and the sanding pattern are primarily determined by the choice of sanding sheet, the pre-set oscillation rate and the applied pressure.

Only flawless sanding sheets achieve good sanding capacity and extend the service life of the machine.

Pay attention to apply uniform sanding pressure; this increases the working life of the sanding sheets.

Intensifying the sanding pressure does not lead to an increase of the sanding capacity, but to increased wear of the machine and the sanding sheet.

For precise on-the-spot sanding of edges, corners and hard to reach areas, it is also possible to work only with the tip or an edge of the sanding plate.

When selectively sanding on the spot, the sanding sheet can heat up considerably. Reduce the orbital stroke rate and allow the sanding sheet to cool down regularly.

A sanding sheet that has been used for metal should not be used for other materials.

8.3.4) Scraping

For scraping, select a high oscillation rate.

Work on a soft surface (e.g. wood) at a flat angle and apply only light pressure. Otherwise the scraper can cut into the surface.

9. CLEANING AND MAINTENANCE



Before performing any work on the equipment, pull the power plug.

- Keep the ventilation slots of the machine clean to prevent overheating of the engine.
- Regularly clean the machine housing with a soft cloth, preferably after each use.
- Keep the ventilation slots free from dust and dirt.
- If the dirt does not come off use a soft cloth moistened with soapy water.
- Never use solvents such as petrol, alcohol, ammonia water, etc. These solvents may damage the plastic parts.



Make sure no water can reach the inside of the power tool!

10. TECHNICAL DETAILS

Model nr.	CMT11
Voltage	220/240V
Mains frequency	50/60Hz
Power	300W
No load speed	15000-21000 min ⁻¹
Tool weight	1,5 kg

11. NOISE

Noise emission values measured according to relevant standard. (K=3)

Acoustic pressure level LpA	82 dB(A)
Acoustic power level LwA	93 dB(A)



ATTENTION! Wear hearing protection when sound pressure is over 85 dB(A).

aw (Vibration)	19,7 m/s ²	K = 1,5 m/s ²
----------------	-----------------------	--------------------------

12. WARRANTY

CMT warrants to the purchaser of this product that if any part proves to be defective due to faulty materials or workmanship within 1 YEAR from the date of original purchase, CMT will repair, or at its discretion replace, the faulty part free of charge.

This warranty does not apply to commercial use nor does it extend to normal wear and tear or damage as a result of accident, abuse or misuse.

If the product is faulty or requires service please refer to your nearest authorised CMT Repair Centre.

Warranty does not include any freight to and from the user.

13. ENVIRONMENT



Should your appliance need replacement after extended use, do not dispose of it with the household refuse, but in an environmentally safe way.

Waste produced by electrical machine items should not be handled like normal

household rubbish. Please recycle where recycle facilities exist. Check with your Local Authority or retailer for recycling advice.

14. DECLARATION

OF CONFORMITY

The undersigned:

CMT Utensili S.p.A.

With address at:

Via della Meccanica

61122 Pesaro - Fraz. Chiusa di Ginestreto

Italia

Tel. #39 0721 48571

declares that

Products: MULTI-USE TOOL

Model: CMT11

is in conformity with the essential requirements and other relevant provisions of the applicable European Directives, based on the application of European harmonized standards. Any unauthorized modification of the apparatus voids this declaration.

European Directives (including, if applicable, their amendments up to the date of signature);

2011/65/EU
2006/42/EC
2004/108/EC

European harmonized standards (including, if applicable, their amendments up to the date of signature);

EN60745-1: 2009
EN60745-2-4: 2009
EN55014-1: 2006
EN55014-2: 1997
EN61000-3-2: 2006
EN61000-3-3: 2013

Keeper of the Technical Documentation:

CMT Utensili S.p.A.

The undersigned acts on behalf of the company CEO,



Signed: Marcello Tommassini
Chairman

Date: 17/03/2016

CE  R6HS

1	UTILIZACIÓN	14
2	DESCRIPCIÓN (FIG.A).....	14
3	CONTENIDO DEL ENVASE.....	14
4	SIMBOLOGÍA	14
5	INSTRUCCIONES GENERALES DE SEGURIDAD.....	15
	5.1 Puesto de trabajo	15
	5.2 Seguridad eléctrica.....	15
	5.3 Seguridad de personas	15
	5.4 Trato y uso cuidadoso de herramientas Eléctricas	16
	5.5 Servicio.....	16
6	INSTRUCCIONES ESPECIALES DE SEGURIDAD.....	16
7	MONTAJE	17
	7.1 Montaje hoja de lija /hoja de sierra/espátula (Fig. 1)	17
	7.2 Montaje/cambio del papel de lija.....	17
	7.3 Montaje de aspirador de polvo	17
8	OPERACIONES	17
	8.1 Interruptor Encendido/Apagado ON/OFF (Fig. 2)	17
	8.2 Dial de velocidad (Fig. 3)	18
	8.3 Aplicaciones.....	18
	8.3.1 Accesorio/Material	18
	8.3.2 Serrar	18
	8.3.3 Raspar.....	18
	8.3.4 Lijar.....	18
9	Mantenimiento y cuidado.....	18
10	INFORMACIÓN TÉCNICA	19
11	RUIDO	19
12	CONDICIONES DE GARANTÍA	19
13	PROTECCIÓN DEL MEDIO AMBIENTE.....	19
14	DECLARACIÓN DE CONFORMIDAD	19

1. UTILIZACIÓN

Utilice la herramienta, según el tipo de accesorio instalado, para lijar en seco pequeñas áreas, fresar, serrar, raspar, lijar, escofinar.



¡ADVERTENCIA! Lea íntegramente y guarde estas advertencias de peligro e instrucciones. Este documento se vende junto a su herramienta.

2. DESCRIPCIÓN (FIG. A)

1. Leva de retención
2. Arandela de resorte
3. Dial de velocidad variable
4. Interruptor Encendido/Apagado On/Off
5. Rejillas de refrigeración
- 6, 7, 8, 9. Accesorio de aspiración y clip de la boquilla
10. Empuñadura (en posición A o B)

3. CONTENIDO DEL ENVASE

- 1 x Herramienta Oscilante Multifuncional
- 1 x Mango de apoyo
- 1 x Aspirador de polvo
- 1 x Manual de Instrucciones
- 1 x Maletín de transporte

- Remover todos los embalajes
- Remover todos residuos protecciones
- Verificar que el contenido del kit es completo
- Controlar que no hayan daños o roturas debidos al transporte en la máquina, en el cable, en el enchufe y accesorio.
- Guardar embalajes y envase hasta el término de la garantía. Sólo después desecharlos a la basura como establezca la gestión de residuos.



¡ADVERTENCIA! Los embalajes no son juguetes, por lo tanto deben mantenerse fuera del alcance y de la vista de los niños. Riesgo de asfixia.

Por favor, póngase en contacto con el proveedor si faltan algunas partes o si hay roturas en la herramienta.



4. SIMBOLOGÍA

En este manual se utilizan los siguientes símbolos:



Este símbolo advierte sobre una situación peligrosa que puede comportar lesiones o rotura de la máquina.



Lea estas advertencias antes de utilizar la herramienta.



Al trabajar utilizar un protector acústico.



Al trabajar protegerse los ojos.



Cumple con la conformidad de las directivas de la Comunidad Europea.



Al trabajar protegerse del polvo con mascarilla.



« Clase II - Esta herramienta tiene doble aislamiento. Esto hace que no sea necesario conectar el cable de tierra. »

5. INSTRUCCIONES GENERALES DE SEGURIDAD PARA HERRAMIENTAS ELÉCTRICAS



¡ATENCIÓN! Lea íntegramente estas instrucciones de seguridad. La no observación de las instrucciones de seguridad siguientes puede dar lugar a descargas eléctricas, incendios y/o lesiones graves.

¡Guarde estas instrucciones en un lugar seguro! El término “herramienta eléctrica” empleado en las siguientes instrucciones se refiere a su aparato eléctrico portátil, ya sea con cable de red, o sin cable, en caso de ser accionado por acumulador.

5.1) Puesto de trabajo

- a) Mantenga limpio y bien iluminado su puesto de trabajo. El desorden y una iluminación deficiente en las áreas de trabajo pueden provocar accidentes.
- b) No utilizar la herramienta eléctrica en un entorno con peligro de explosión, en el que se encuentren combustibles líquidos, gases o material en polvo. Las herramientas eléctricas producen chispas que pueden llegar a inflamar los materiales en polvo o vapores.
- c) Mantenga alejados a los niños y otras personas de su puesto de trabajo al emplear la herramienta eléctrica. Una distracción le puede hacer perder el control sobre el aparato.

5.2) Seguridad eléctrica

- a) El enchufe de la herramienta eléctrica debe corresponder a la toma de corriente utilizada. No es admisible modificar el enchufe en forma alguna. No emplee adaptadores con herramientas eléctricas dotadas de una toma de tierra. Los enchufes sin modificaciones reducen el riesgo de una descarga eléctrica.
- b) Evite que su cuerpo toque partes conectadas a tierra como tuberías, radiadores, cocinas y refrigeradores. El riesgo a quedar expuesto a una sacudida eléctrica es mayor si su cuerpo tiene contacto con tierra.
- c) No exponga las herramientas eléctricas a la lluvia y evite que penetren líquidos en su interior. Existe el peligro de recibir una descarga eléctrica si penetran ciertos líquidos en la herramienta eléctrica.
- d) No utilizar el cable de red para transportar o colgar la herramienta eléctrica, ni tire de él para sacar el enchufe de la toma de corriente. Man-

tenga el cable de red alejado del calor, aceite, esquinas cortantes o piezas móviles. Los cables de red dañados o enredados pueden provocar una descarga eléctrica.

- e) Al trabajar con la herramienta eléctrica a la intemperie utilice solamente cables de prolongación homologados para su uso en exteriores. La utilización de un cable de prolongación adecuado para su uso en exteriores reduce el riesgo de una descarga eléctrica.
- f) Si fuera necesario utilizar la herramienta eléctrica en un entorno húmedo, utilice un interruptor de protección diferencial. La utilización de un interruptor de protección adecuado para su uso en exteriores reduce el riesgo de una descarga eléctrica.

5.3) Seguridad de personas

- a) Esté atento a lo que hace y emplee la herramienta eléctrica con prudencia. No utilizar la herramienta eléctrica si estuviese cansado, ni tampoco después de haber consumido alcohol, drogas o medicamentos. El no estar atento durante el uso de una herramienta eléctrica puede provocarle serias lesiones.
- b) Utilice un equipo de protección y en todo caso unas gafas de protección. El riesgo de lesionarse se reduce considerablemente si, dependiendo del tipo y la aplicación de la herramienta eléctrica empleada, se utiliza un equipo de protección adecuado como una mascarilla anti polvo, zapatos de seguridad con suela antideslizante, casco, o protectores auditivos.
- c) Evite una puesta en marcha fortuita del aparato. Asegúrese de que la herramienta eléctrica está apagada antes de conectarla a la toma de corriente y/o la batería, de desconectarla o de transportarla. Si transporta la herramienta eléc-

trica sujetándola por el interruptor de conexión/desconexión, o si introduce el enchufe en la toma de corriente con el aparato conectado, puede dar lugar a un accidente.

- d) Retire las herramientas de ajuste o llaves fijas antes de conectar la herramienta eléctrica. Una herramienta o llave colocada en una pieza rotante puede producir lesiones al ponerse a funcionar.
- e) Evite trabajar con posturas forzadas. Trabaje sobre una base firme y mantenga el equilibrio en todo momento. Ello le permitirá controlar mejor la herramienta eléctrica en caso de presentarse una situación inesperada.
- f) Lleve puesta una vestimenta de trabajo adecuada. No utilizar vestimenta amplia ni joyas. Mantenga su pelo, vestimenta y guantes alejados de las piezas móviles. La vestimenta suelta, las joyas y el pelo largo se pueden enganchar con las piezas en movimiento.
- g) Siempre que sea posible utilizar equipos de aspiración o captación de polvo, asegúrese que éstos estén montados y que sean utilizados correctamente. La utilización de un equipo de aspiración de polvo puede reducir los riesgos de aspirar polvo nocivo para la salud.

5.4) Trato y uso cuidadoso de herramientas eléctricas

- a) No sobrecargue el aparato. Use la herramienta prevista para el trabajo a realizar. Con la herramienta adecuada podrá trabajar mejor y más seguro dentro del margen de potencia indicado.
- b) Nunca utilizar herramientas con un interruptor defectuoso. Las herramientas que no se puedan conectar o desconectar son peligrosas y deben hacerse reparar.
- c) Saque el enchufe de la red y/o retire la batería antes de realizar un ajuste en la herramienta, cambiar de accesorio o guardar el aparato. Esta medida preventiva reduce el riesgo de conectar accidentalmente el aparato.
- d) Guarde las herramientas eléctricas fuera del alcance de los niños. No permita que las utilicen personas que no estén familiarizadas con ellas o que no hayan leído estas instrucciones. Las her-

ramientas utilizadas por personas inexpertas son peligrosas.

- e) Cuidar sus herramientas eléctricas con esmero. Controle si funcionan correctamente, sin atascarse, las partes móviles de la herramienta y si existen partes rotas o deterioradas que pudieran afectar a su funcionamiento. Si la herramienta eléctrica estuviese defectuosa, hágala reparar antes de volver a utilizarla. Muchos de los accidentes se deben a aparatos con un mantenimiento deficiente.
- f) Mantenga los útiles limpios y afilados. Los útiles mantenidos correctamente se dejan guiar y controlar mejor.
- g) Utilice las herramientas eléctricas, los accesorios, las herramientas de inserción, etc. de acuerdo con estas instrucciones. Considere en ello las condiciones de trabajo y la tarea a realizar. El uso de herramientas eléctricas para trabajos diferentes de aquellos para los que han sido concebidas puede resultar peligroso.

5.5) Servicio

Únicamente haga reparar su herramienta eléctrica por un profesional, empleando exclusivamente piezas de repuesto originales. Solamente así se mantiene la seguridad de la herramienta eléctrica.

6. INSTRUCCIONES DE SEGURIDAD ESPECIALES

- Utilizar el oscilante sólo para lijar en seco. Hacer funcionar la máquina en condiciones húmedas puede causar descargas eléctricas.
- Mantenga las manos alejadas del área de trabajo y nunca corte con sus manos debajo de la pieza.
- Siempre inspeccione la pared y los techos antes de utilizar su herramienta, para evitar que hayan cables de alimentación eléctrica o tuberías de agua y gas ocultos. Perforarles puede causar descargas eléctricas fatales.
- Durante el trabajo, agarre la herramienta de forma segura con las dos manos para mantener una postura firme y buen equilibrio en todo momento. Esto permite un mejor control de la her-

ramienta eléctrica.

- Asegurar la pieza de trabajo. Utilice si es posible herramientas de agarre tales como abrazaderas o bloqueos.
- Mantener el área de trabajo limpia. Mezclar diferentes materiales y sustancias químicas puede ser peligroso. Polvo de aleaciones ligeras puede ser inflamable o explosivo.
- Al cambiar los accesorios y para todas las demás tareas siempre use guantes de protección.
- Partes y accesorios pueden calentarse si trabajan a largo plazo.
- Nunca raspar materiales húmedos (por ejemplo papel de pared) o áreas mojadas. Si entra agua en una herramienta eléctrica aumentará el riesgo de descarga eléctrica.
- Nunca tratar las superficies con solventes. Al calentarse el material puede desprender humos tóxicos.
- Prestar atención al rascador: es muy afilado y puede producir lesiones peligrosas.

7. MONTAJE



¡ADVERTENCIA! Asegúrese de que el voltaje coincida con la fuente de alimentación indicada en la etiqueta de clasificación. Retire el cable de alimentación de la toma de corriente antes de que cualquier mantenimiento o ajustes se lleven a cabo en la unidad.

7.1) Montaje hoja de lija/hoja de sierra/espátula (Fig. 1) (No Incluidos)



¡ADVERTENCIA! Antes de instalar o reemplazar herramientas o accesorios siempre apague la herramienta y retire el enchufe de la fuente de alimentación.

Evite tocar los bordes afilados de las herramientas

- Desentornille la placa de fijación (2) presionando la leva de retención (1) hasta el tope.
- Ajuste la Arandela de resorte para insertar la hoja de lija/hoja de sierra/espátula entre la arandela misma y la placa de fijación. Apretar hasta que

encaje bien hasta los pernos de bloqueo para cerrar.

- Bajar la leva de retención (1) hasta el bloqueo, como se muestre en Fig. 1.
- Para quitar el accesorio hacer exactamente lo contrario.



¡ADVERTENCIA! Nunca utilizar accesorios que no sean homologados y adaptados.



¡ADVERTENCIA! Asegurarse de que los accesorios sean bien encajados, un mal encaje puede causar que estos se pierdan durante el trabajo, con peligros de lesiones muy graves.

7.2) Montaje/cambio de papel de lija (No Incluido)

Con enganche rápido y placa de fijación.

- Posicionar el papel y presionar con mano.
- Presionar hasta el clic contra la superficie de la placa (8). Esto proporciona una buena adherencia y evita el desgaste prematuro. Encender la herramienta.
- Si el papel está desgastado se puede desprender y montar girado en 120° o cambiar con otro más nuevo.

7.3) Montaje de aspirador de polvo

Como se muestre en Fig.1

8. OPERACIONES

8.1) Encender/Apagar ON/OFF (Fig.2)

Controlar que el cable de alimentación y el enchufe no sean dañados.

- Conectar el enchufe a la fuente de alimentación.
- Encender la herramienta en ON: deslizar el pulsador ON/OFF (4) hacia adelante hasta la posición (I).
- Apagar la herramienta en OFF: deslizar el pulsador ON/OFF (4) hacia atrás hasta la posición (O).

8.2) Dial de velocidad (Fig. 3)

El dial de velocidad variable se puede ajustar a 6 frecuencias diferentes de oscilación: se pueden adaptar

desde "1" (min.) hasta "6" (Max.) arreglando el dial selector (3).

8.3) Aplicaciones

8.3.1) Accesorio/Material

Accesorio	Material
Hoja de sierra para cortes de inmersión	Madera, plástico, yeso y materiales blandos.
Rascador	Madera, pintura y barniz, moquetas, silicona y materiales flexibles.
Hojas de lija	Según de los grados de lija.

8.3.2) Serrar



Utilizar hojas de sierra sin imperfecciones o defectos. Hojas deformes, dañadas o biseladas pueden romperse durante el trabajo.



Se pueden efectuar cortes de inmersión solamente en materiales blandos como madera, yeso y paneles de yeso etc.

Revise y quite los clavos, tornillos y cualquier otro objeto de metal de la madera antes de empezar el trabajo.

8.3.3) Escofinar

El resultado del rascado depende del papel de escofina, frecuencia de oscilación y presión durante el trabajo.

El uso de papeles de escofina de calidad va a maximizar la vida de vuestra herramienta.

Distribuir el uso de manera uniforme para maximizar la vida útil de sus papeles de escofina.

El exceso de presión reduce las prestaciones de la herramienta y de los papeles.

Para escofinar esquinas, bordes y lugares de difícil acceso es posible trabajar el material con la extremidad o con el borde del papel.

No insistir en el mismo punto porque el papel puede calentarse.

Si demasiado caliente, apague la herramienta o baje la frecuencia de oscilación.

No emplear papel anteriormente utilizado para metales para escofinar los demás materiales.

8.3.4) Lijar

Seleccionar una frecuencia de oscilación elevada para lijar.

Para lijar una superficie blanda (ej. madera) presionar suavemente hacia abajo sobre una superficie llana, para evitar que se puedan producir cortes.

9. MANTENIMIENTO Y CUIDADO



Siempre desconectar el enchufe de la fuente de alimentación antes de realizar ajustes o cambiar accesorios.

- Mantener las rejillas de refrigeración limpias para evitar que el utensilio se caliente.
- Limpie externamente las rejillas de refrigeración con un pañuelo suave, posiblemente después de cada uso.
- Cuando resulte necesario limpiar la herramienta con un pañuelo húmedo.
- Nunca utilizar disolventes como petróleo, alcohol, amoníaco etc. porque pueden causar daño a las piezas de plástico de su herramienta.



Si entra agua en una herramienta eléctrica aumenta el riesgo de descarga eléctrica.

10. INFORMACIÓN TÉCNICA

Modelo nr.	CMT11
Voltaje	220/240V
Frecuencia de la red	50/60Hz
Potencia	300W
Velocidad de oscilaciones	15000-21000 min ⁻¹
Peso electrofresadora	1,5 kg

11. RUIDO

Los valores de emisión de ruidos respetan los estándares (K=3)

Nivel de presión acústica LpA	82 dB(A)
Nivel de potencia acústica LwA	93 dB(A)



¡ADVERTENCIA! Utilizar protector acústico con ruidos superiores a 85 db(A).

aw (Vibraciones)	19,7 m/s ²	K = 1,5 m/s ²
------------------	-----------------------	--------------------------

13. PROTECCIÓN DEL MEDIO AMBIENTE



No deseche los aparatos eléctricos a la basura.

Póngase en contacto con su autoridad local de eliminación de residuos para obtener más detalles sobre cómo deshacerse de sus aparatos eléctricos

desgastados y para que puedan ser sometidos a un reciclaje ecológico.

14. DECLARACIÓN DE CONFORMIDAD

El abajo firmante:

CMT Utensili S.p.A.

Con dirección:

Via della Meccanica

61122 Pesaro - Fraz. Chiusa di Ginestreto

Italia

Tel. #39 0721 48571

Declara que

Producto: HERRAMIENTA OSCILANTE MULTIFUNCIONAL

Modelo: CMT11

Cumple los requisitos esenciales establecidos con las disposiciones de las directivas Europeas en aplicación estándar de normas armonizadas.

Directivas Europeas (con sus modificaciones sucesivas)

2011/65/EU
2006/42/EC
2004/108/EC

Normas armonizadas Europeas (Con sus modificaciones sucesivas);

EN60745-1: 2009
EN60745-2-4: 2009
EN55014-1: 2006
EN55014-2: 1997
EN61000-3-2: 2006
EN61000-3-3: 2013

Expediente técnico en:

CMT Utensili S.p.A.

Actos firmados por CEO de la Sociedad,

Firmado por: Marcello Tommassini
Presidente

Data: 17/03/2016

CE ROHS

1	APPLICATION	21
2	DESCRIPTION (FIG. A).....	21
3	Liste du contenu de l'emballage.....	21
4	SYMBOLES	21
5	AVERTISSEMENTS GÉNÉRAUX DE SÉCURITÉ RELATIFS AUX MACHINES-OUTILS	22
	5.1 Zone de travail	22
	5.2 Sécurité électrique	22
	5.3 Protection personnelle	22
	5.4 Utilisation et entretien de la machine-outil	23
	5.5 Maintenance.....	23
6	AVERTISSEMENTS DE SÉCURITÉ SPÉCIFIQUES À LA MACHINE	23
7	MONTAGE	24
	7.1 Montage du plateau de ponçage/de la lame de scie/de la spatule/ (Fig. 1)	24
	7.2 Montage/remplacement du papier de ponçage	25
	7.3 Montage du tuyau d'aspiration de la poussière	25
8	FONCTIONNEMENT	24
	8.1 Mise en marche/arrêt (Fig. 2)	24
	8.2 Réglage de la vitesse (Fig. 3)	25
	8.3 Conseils d'application	25
	8.3.1 Sélection de l'outil/accessoire	25
	8.3.2 Sciage	25
	8.3.3 Ponçage	25
	8.3.4 Grattage	25
9	NETTOYAGE ET MAINTENANCE	25
10	DONNÉES TECHNIQUES	26
11	BRUIT	26
12	GARANTIE	26
13	ENVIRONNEMENT	26
14	DÉCLARATION DE CONFORMITÉ.....	27

1. APPLICATION

Selon l'accessoire monté, cette machine-outil est destinée au ponçage à sec de petites surfaces ainsi qu'au sciage, au grattage, au polissage, au déjointage, à la coupe et à la séparation.



ATTENTION ! Pour votre sécurité, lisez attentivement ce manuel et les consignes générales de sécurité avant d'utiliser l'appareil. Ces instructions doivent toujours accompagner votre machine-outil en cas de transfert à un tiers.

2. DESCRIPTION (FIG. A)

1. Levier de dégagement rapide
2. Dispositif de dégagement rapide
3. Régulateur de fréquence d'oscillation
4. Interrupteur On/Off
5. Orifices de ventilation
- 6, 7, 8, 9. Tuyau d'aspiration de la poussière et support
10. Poignée (elle peut s'installer en A ou B)

3. LISTE DU CONTENU DE L'EMBALLAGE

- 1 x Outil polyvalent oscillant
- 1 x Poignée
- 1 x Tuyau d'aspiration
- 1 x Manuel
- 1 x Boîte de rangement

- Enlever tout le matériel d'emballage.
- Enlever les inserts d'emballage et de conditionnement restants (s'il y en a).
- Vérifier que le contenu de l'emballage soit complet.
- Contrôler l'appareil, le câble d'alimentation, la fiche d'alimentation et tous les accessoires afin de s'assurer qu'ils soient exempts de dommages dus au transport.
- Dans la mesure du possible, conserver le matériel d'emballage jusqu'à l'échéance de la période de garantie. L'éliminer ensuite selon votre système local d'élimination des déchets.



ATTENTION : Le matériel d'emballage n'est pas un jouet ! Les enfants ne doivent pas jouer avec les sacs en plastique ! Danger d'étouffement !

En cas de composants manquants ou abîmés, prière de contacter votre vendeur.



4. SYMBOLES

Les symboles suivants sont utilisés dans ce manuel et/ou sur la machine :



Indique un risque de blessure ou de dommage de l'outil.



Lire le manuel avant l'utilisation.



Porter un équipement de protection de l'ouïe.



Porter un équipement de protection des yeux.



Conformément aux exigences essentielles de la/des directive(s) européenne(s).



Porter un masque de protection en cas d'environnement poussiéreux



« Classe II - La machine est dotée d'une double isolation ; elle n'exige donc pas de câble de mise à la terre ».

5. GENERAL POWER TOOL SAFETY WARNINGS



AVERTISSEMENT Lire tous les avertissements de sécurité et toutes les instructions. Ne pas suivre les avertissements et instructions peut donner lieu à un choc électrique, un incendie et/ou une blessure sérieuse.

Conserver tous les avertissements et toutes les instructions pour pouvoir s'y reporter ultérieurement! Le terme «outil» dans les avertissements fait référence à votre outil électrique alimenté par le secteur (avec cordon d'alimentation) ou votre outil fonctionnant sur batterie (sans cordon d'alimentation).

5.1) Sécurité de la zone de travail

- Conservier la zone de travail propre et bien éclairée. Les zones en désordre ou sombres sont propices aux accidents.
- Ne pas faire fonctionner les outils électriques en atmosphère explosive, par exemple en présence de liquides inflammables, de gaz ou de poussières. Les outils électriques produisent des étincelles qui peuvent enflammer les poussières ou les fumées.
- Maintenir les enfants et les personnes présentes à l'écart pendant l'utilisation de l'outil. Les distractions peuvent vous faire perdre le contrôle de l'outil.

5.2) Sécurité électrique

- Il faut que les fiches de l'outil électrique soient adaptées au socle. Ne jamais modifier la fiche de quelque façon que ce soit. Ne pas utiliser d'adaptateurs avec des outils à branchement de terre. Des fiches non modifiées et des socles adaptés réduiront le risque de choc électrique.
- Eviter tout contact du corps avec des surfaces reliées à la terre telles que les tuyaux, les radiateurs, les cuisinières et les réfrigérateurs. Il existe un risque accru de choc électrique si votre corps est relié à la terre.
- Ne pas exposer les outils à la pluie ou à des conditions humides. La pénétration d'eau à l'intérieur d'un outil augmentera le risque de choc électrique.
- Ne pas maltraiter le cordon. Ne jamais utiliser le cordon pour porter, tirer ou débrancher l'outil. Maintenir le cordon à l'écart de la chaleur, du lubrifiant, des arêtes ou des parties en mouvement. Des cordons endommagés ou emmêlés augmentent le risque de choc électrique.

- Lorsqu'on utilise un outil à l'extérieur, utiliser un prolongateur adapté à l'utilisation extérieure. L'utilisation d'un cordon adapté à l'utilisation extérieure réduit le risque de choc électrique.
- Si l'usage d'un outil dans un emplacement humide est inévitable, utiliser une alimentation protégée par un dispositif à courant différentiel résiduel (RCD). L'usage d'un RCD réduit le risque de choc électrique.

5.3) Sécurité des personnes

- Rester vigilant, regarder ce que vous êtes en train de faire et faire preuve de bon sens dans votre utilisation de l'outil. Ne pas utiliser un outil lorsque vous êtes fatigué ou sous l'emprise de drogues, d'alcool ou de médicaments. Un moment d'inattention en cours d'utilisation d'un outil peut entraîner des blessures graves des personnes.
- Utiliser un équipement de sécurité. Toujours porter une protection pour les yeux. Les équipements de sécurité tels que les masques contre les poussières, les chaussures de sécurité antidérapantes, les casques ou les protections acoustiques utilisés pour les conditions appropriées réduiront les blessures de personnes.
- Eviter tout démarrage intempestif. S'assurer que l'interrupteur est en position arrêt avant de brancher l'outil au secteur et/ou au bloc de batteries, de le ramasser ou de le porter. Porter les outils en ayant le doigt sur l'interrupteur ou brancher des outils dont l'interrupteur est en position marche est source d'accidents.
- Retirer toute clé de réglage avant de mettre l'outil en marche. Une clé laissée fixée sur une partie tournante de l'outil peut donner lieu à des blessures de personnes.
- Ne pas se précipiter. Garder une position et un

équilibre adaptés à tout moment. Cela permet un meilleur contrôle de l'outil dans des situations inattendues.

- f) S'habiller de manière adaptée. Ne pas porter de vêtements amples ou de bijoux. Garder les cheveux, les vêtements et les gants à distance des parties en mouvement. Des vêtements amples, des bijoux ou les cheveux longs peuvent être pris dans des parties en mouvement.
- g) Si des dispositifs sont fournis pour le raccordement d'équipements pour l'extraction et la récupération des poussières, s'assurer qu'ils sont connectés et correctement utilisés. Utiliser des collecteurs de poussière peut réduire les risques dus aux poussières.

5.4) Utilisation et entretien de l'outil

- a) Ne pas forcer l'outil. Utiliser l'outil adapté à votre application. L'outil adapté réalisera mieux le travail et de manière plus sûre au régime pour lequel il a été construit.
- b) Ne pas utiliser l'outil si l'interrupteur ne permet pas de passer de l'état de marche à arrêt et vice versa. Tout outil qui ne peut pas être commandé par l'interrupteur est dangereux et il faut le réparer.
- c) Débrancher la fiche de la source d'alimentation en courant et/ou le bloc de batteries de l'outil avant tout réglage, changement d'accessoires ou avant de ranger l'outil. De telles mesures de sécurité préventives réduisent le risque de démarrage accidentel de l'outil.
- d) Conserver les outils à l'arrêt hors de la portée des enfants et ne pas permettre à des personnes ne connaissant pas l'outil ou les présentes instructions de le faire fonctionner. Les outils sont dangereux entre les mains d'utilisateurs novices.
- e) Observer la maintenance de l'outil. Vérifier qu'il n'y a pas de mauvais alignement ou de blocage des parties mobiles, des pièces cassées ou toute autre condition pouvant affecter le fonctionnement de l'outil. En cas de dommages, faire réparer l'outil avant de l'utiliser. De nombreux accidents sont dus à des outils mal entretenus.
- f) Garder affûtés et propres les outils permettant de couper. Des outils destinés à couper correctement

entretenus avec des pièces coupantes tranchantes sont moins susceptibles de bloquer et sont plus faciles à contrôler.

- g) Utiliser l'outil, les accessoires et les lames etc., conformément à ces instructions, en tenant compte des conditions de travail et du travail à réaliser. L'utilisation de l'outil pour des opérations différentes de celles prévues pourrait donner lieu à des situations dangereuses.

5.5) Maintenance et entretien

Faire entretenir l'outil par un réparateur qualifié utilisant uniquement des pièces de rechange identiques. Cela assurera que la sécurité de l'outil est maintenue.

6. AVERTISSEMENTS DE SÉCURITÉ SPÉCIFIQUES À LA MACHINE

- Utiliser la machine uniquement pour le ponçage à sec. La pénétration d'eau dans la machine augmente le risque d'électrocution.
- Tenir les mains loin de la zone de sciage. Ne pas accéder à la zone située sous la pièce usinée. Tout contact avec la lame de scie peut entraîner des blessures.
- Utiliser des détecteurs appropriés pour déterminer si des lignes de service public sont simulées dans la zone de travail ou contacter l'entreprise publique locale pour demander son assistance. Tout contact avec des lignes électriques peut entraîner un incendie et une décharge électrique. Tout dommage causé à une ligne du gaz peut entraîner une explosion. La pénétration dans une canalisation d'eau entraîne des dommages matériels et peut entraîner une décharge électrique.
- Lors du travail avec la machine, toujours la tenir fermement avec les deux mains et dans une position sûre. Le guidage de la machine-outil est plus sûr avec les deux mains.
- Fixer la pièce à usiner. Il est plus sûr de fixer la pièce à usiner avec des dispositifs de fixation ou dans un étau que de la tenir manuellement.

- Garder la zone de travail propre. Les mélanges de matériaux sont particulièrement dangereux. La poussière provenant des alliages légers peut brûler ou exploser.
- Porter des gants de protection lors du changement des outils/accessoires.
- Les outils/accessoires deviennent chauds après une utilisation prolongée.
- Ne pas gratter des matériaux humides (par ex. du papier peint) ou sur des surfaces humides. La pénétration d'eau dans la machine augmente le risque d'électrocution.
- Ne pas traiter la surface à usiner avec des fluides contenant des solvants. Les matériaux s'échauffant lors du grattage peuvent entraîner la génération de vapeurs toxiques.
- Manipuler le grattoir avec la plus grande précaution. L'accessoire est extrêmement coupant ; danger de blessure.

7. MONTAGE



ATTENTION : Toujours vérifier que l'alimentation électrique corresponde à la tension indiquée sur la plaque signalétique. Extraire la machine-outil de l'emballage. Ne pas la brancher au réseau électrique avant le montage.

7.1) Montage du plateau de ponçage/ de la lame de scie/ de la spatule (Fig. 1) (Non comprise)



ATTENTION : Toujours débrancher la fiche de la prise de courant avant de procéder au montage et au réglage.

Manipuler les outils coupants tels que les spatules, lames de scie ou lames de coupe avec précaution.

- Desserrer le plateau de fixation (2) en tirant sur le levier de dégagement rapide (1) jusqu'à son ouverture complète.
- Tenir l'ouverture de la lame de scie, du plateau de ponçage ou de la spatule à raccord rapide vers la broche de sortie qui se trouve entre la bague de

protection et le plateau de fixation, puis appuyer sur l'accessoire pour l'insérer et le placer fermement sur les goujons de positionnement.

- Fixer en plaçant le levier de dégagement rapide (1) en position de verrouillage, comme indiqué sur la Fig. 1.
- Pour enlever l'accessoire, effectuer l'opération contraire.



ATTENTION : Ne pas utiliser d'accessoires non compatibles.



ATTENTION : Vérifier que l'outil/accessoire soit solidement fixé.

Des outils/accessoires incorrects ou mal fixés peuvent se détacher lors du fonctionnement et entraîner un risque.

7.2) Montage/remplacement du papier de ponçage (Non compris)

Avec fixation par crochet à échappement et boucle.

- Placer le papier de ponçage et appuyer manuellement.
- Appuyer sur le papier de ponçage en exerçant une poussée ferme et légère sur la surface plate du plateau de ponçage (8) et allumer la machine-outil.
Ceci assure une adhésion correcte et prévient toute usure précoce.
- En cas d'usure localisée, retirer le papier de ponçage, le faire tourner de 120 ° et le remettre en place, ou bien remplacer le papier de ponçage.

7.3) Montage du tuyau d'aspiration de la poussière

Comme indiqué sur la Fig. 1.

8. FONCTIONNEMENT

8.1) Mise en marche/arrêt (Fig. 2)

Vérifier tout d'abord que le câble et la fiche ne soient pas abîmés.

- Brancher la fiche à l'alimentation électrique.
- Mise en marche de la machine-outil : faire glisser l'interrupteur ON/OFF (4) vers l'avant, dans la

position (I).

- Arrêt de la machine-outil : faire glisser l'interrupteur ON/OFF (4) vers l'arrière, dans la position (O).

8.2) Réglage de la vitesse (Fig. 3)

Il est possible de régler la machine-outil sur 6 positions de réglage de la vitesse. La position « 1 » indique la vitesse la plus basse, tandis que la position « 6 » indique la plus élevée ; il est possible de régler la vitesse en tournant le sélecteur de vitesse (3) de la position « 1 » à la position « 6 ». L'opérateur peut avoir à modifier la vitesse afin d'optimiser l'efficacité de l'usinage.

8.3) Conseils d'application

8.3.1) Sélection de l'outil/accessoire

Accessoire	Matériau
Lame de scie plongeante à bois	Matériaux en bois, plastique, gypse en autres matériaux mous.
Lame de raclage	Bois, peinture, colle à moquette, silicone et autre matériaux élastiques.
Plateau de base pour le ponçage	Dépend de la feuille de ponçage

8.3.2) Sciage



Utiliser uniquement des lames de scie sans défaut et non abîmées. Les lames de scie déformées, émoussées ou autrement abîmées sont susceptibles de se casser.



Les coupes plongeantes ne peuvent s'effectuer que dans des matériaux mous tels que le bois, les plaques de plâtre à base de gypse, etc. !

Avant d'utiliser ces lames de scie pour scier du bois, des panneaux de particules, des matériaux de construction, etc., vérifier qu'aucun corps étranger tels que des ongles, des vis ou autre ne se trouve dessus. Si nécessaire, enlever les corps étrangers ou utiliser

des lames de scie à métaux.

8.3.3) Ponçage

Le débit de matière et la configuration de ponçage sont avant tout déterminés par le choix de la feuille de ponçage, la fréquence d'oscillation et la pression appliquée.

Seule l'utilisation de feuilles de ponçage sans défaut permet de garantir l'efficacité du ponçage et de prolonger la durée de vie utile de la machine.

S'assurer d'appliquer une pression de ponçage uniforme; cela augmente la durée de vie utile des feuilles de ponçage.

L'intensification de la pression de ponçage n'augmente pas l'efficacité du ponçage, mais accroît l'usure de la machine et de la feuille de ponçage.

Pour effectuer le ponçage précis localisé d'arêtes, d'angles et de zones difficiles d'accès, il est également possible de travailler avec la pointe ou une arête du plateau de ponçage.

Lors du ponçage localisé en un point, la feuille de ponçage peut s'échauffer considérablement. Réduire la vitesse d'oscillation et laisser régulièrement la feuille de ponçage refroidir.

Une feuille de ponçage qui a été utilisée sur du métal ne doit pas être utilisée pour d'autres matériaux.

8.3.4) Grattage

Pour le grattage, sélectionner une vitesse d'oscillation élevée. Travailler sur une surface molle (par ex. du bois) selon un angle rectiligne et n'exercer qu'une légère pression. Autrement, le grattoir est susceptible de couper la surface.

9. NETTOYAGE ET MAINTENANCE

Avant d'effectuer toute opération sur l'équipement, débrancher la fiche de la prise de courant.



- Garder les orifices de ventilation de la machine propres afin de prévenir toute surchauffe du moteur.
- Nettoyer régulièrement le corps de la machine avec un chiffon doux, de préférence après chaque

utilisation.

- Éliminer toute poussière ou saleté des orifices de ventilation.
- Si la saleté persiste, utiliser un chiffon doux imbibé d'eau savonneuse.
- Ne jamais utiliser de solvants tels que du pétrole, de l'alcool ou de l'eau ammoniacale, etc. Ces solvants sont susceptibles d'abîmer les composants en plastique.



S'assurer d'éviter toute pénétration d'eau à l'intérieur de la machine-outil.

10. DONNÉES TECHNIQUES

N° de modèle	CMT11
Tension	220/240 V
Fréquence du réseau	50/60 Hz
Puissance	300 W
Vitesse à vide	15 000-21 000 min ⁻¹
Poids défonceuse	1,5 kg

11. RUIDO

Valeurs d'émission de bruit mesurées conformément à la norme applicable. (K=3)

Niveau de pression acoustique LpA	82 dB(A)
Niveau de puissance acoustique LwA	93 dB(A)



ATTENTION ! Utiliser un équipement de protection de l'ouïe lorsque la pression acoustique dépasse 85 dB(A).

aw (Vibration)	19,7 m/s ²	K = 1,5 m/s ²
----------------	-----------------------	--------------------------

12. GARANTIE

CMT garantit à l'acheteur de ce produit que si toute pièce s'avère defectueuse en raison de la qualité des matériaux ou de la fabrication dans les 1 ANS de la date d'achat, CMT réparera ou remplacera sans frais, à sa discrétion, la pièce defectueuse.

Cette garantie ne couvre pas un usage commercial ni une usure normale ou un dommage résultant d'un

accident, d'un usage abusif ou d'une mauvaise utilisation.

Si le produit est defectueux ou nécessite une réparation, veuillez composer le etre refer au centre de réparation autorise CMT le plus proche. La garantie n'inclut pas les frais d'envoi de et a l'utilisateur.

13. ENVIRONNEMENT



S'il est nécessaire d'éliminer l'appareil en fin de vie, ne pas l'éliminer avec les déchets domestiques mais d'une manière respectueuse de l'environnement.

Les déchets produits par les équipements électriques ne doivent pas être gérés comme des déchets domestiques normaux. Prière de les recycler en les remettant aux organismes de recyclage existants. Contacter l'autorité locale compétente ou le vendeur pour obtenir des indications quant au recyclage.

14. DÉCLARATION

DE CONFORMITÉ

La société soussignée :

CMT Utensili S.p.A.

Sise à l'adresse :

Via della Meccanica

61122 Pesaro - Fraz. Chiusa di Ginestreto

Italia

Tel. #39 0721 48571

déclare que

Le produit : MACHINE-OUTIL MULTIFONCTION

Modèle : CMT11

est conforme aux exigences essentielles et autres dispositions pertinentes des directives européennes applicables, sur la base de l'application des normes harmonisées européennes. Toute modification non autorisée de l'appareil annule cette déclaration.

Directives européennes (y compris, si ils sont applicables, leurs amendements jusqu'à la date de signature) ;

2011/65/EU
2006/42/EC
2004/ 108/EC

Normes européennes harmonisées (y compris, si ils sont applicables, leurs amendements jusqu'à la date de la signature) ;

EN60745-1: 2009
EN607 45-2-4: 2009
EN55014-1: 2006
EN55014-2: 1997
EN61000-3-2: 2006
EN61000-3-3: 2013

technique :

CMT Utensili S.p.A.

Le soussigné agit pour le compte du PDG de la société,



Signé : Marcello Tommassini
Président

Date : 17/03/2016

CE  **R&HS**

Responsable de la conservation de la documentation

1	UTILIZZO	29
2	DESCRIZIONE (FIG.A)	29
3	CONTENUTO DELLA CONFEZIONE.....	29
4	SIMBOLOGIA	29
5	AVVERTENZE GENERALI DI SICUREZZA PER GLI UTENSILI ELETTRICI	30
	5.1 Sicurezza sul luogo di lavoro	30
	5.2 Sicurezza elettrica.....	30
	5.3 Sicurezza delle persone.....	30
	5.4 Maneggio ed impiego accurato di utensili elettrici	31
	5.5 Assistenza	31
6	ISTRUZIONI DI SICUREZZA SPECIFICHE	32
7	MONTAGGIO	32
	7.1 Montaggio mola di levigatura/lama/spatola (Fig. 1)	32
	7.2 Montaggio/sostituzione della carta abrasiva	32
	7.3 Montaggio dell'accessorio di aspirazione per la polvere	32
8	OPERAZIONI	33
8.1	Accensione ON/OFF (Fig. 2)	33
8.2	Regolazione Velocità (Fig. 3)	33
8.3	Consigli di utilizzo	33
	8.3.1 Scelta dell'accessorio/applicazione.....	33
	8.3.2 Segare	33
	8.3.3 Carteggiare	33
	8.3.4 Levigare	33
9	PULIZIA E MANUTENZIONE	33
10	DATI TECNICI	34
11	RUMORE	34
12	GARANZIA	34
13	AMBIENTE.....	34
14	DICHIARAZIONE DI CONFORMITÀ	34

1. UTILIZZO

A seconda dell'accessorio montato, l'utensile è designato per levigatura a secco di aree di piccole proporzioni e per fresatura, carteggiatura, lucidatura, rasatura, taglio.



ATTENZIONE! Leggere attentamente manuale e le istruzioni di sicurezza prima dell'uso, per vostra sicurezza. Il dispositivo è venduto unicamente assieme alle presenti istruzioni.

2. DESCRIZIONE (FIG. A)

1. Leva per rilascio rapido
2. Ghiera di serraggio
3. Regolatore velocità
4. Pulsante di accensione On/Off
5. Fori di raffreddamento
- 6, 7, 8, 9. Bocchetta di aspirazione e aggancio
10. Impugnatura (Installata in pos. A o B)

3. CONTENUTO DELLA CONFEZIONE

- 1 x Utensile multifunzione oscillante
- 1 x Impugnatura
- 1 x Accessorio per aspirazione
- 1 x Manuale di Istruzioni
- 1 x Valigetta

- Rimuovere tutti gli imballaggi.
- Rimuovere le rimanenti protezioni.
- Controllare che il contenuto della confezione sia completo.
- Controllare che l'apparecchio, il cavo di alimentazione, presa e accessori non abbiano subito danni durante il trasporto.
- Conservare imballaggi e confezione possibilmente fino al termine della garanzia. Gettare solo in seguito nella spazzatura, come da disposizioni per lo smaltimento rifiuti.



ATTENZIONE! I materiali di imballo non sono giocattoli pertanto tenere lontano dalla portata dei bambini! Pericolo di soffocamento!

Qualora alcune parti mancassero o fossero danneggiate vi preghiamo di rivolgervi al vostro rivenditore.



4. SIMBOLOGIA

In questo manuale e nell'utensile sono utilizzati i seguenti simboli:



Denota rischio di lesioni personali o danno all'utensile.



Leggere il manuale prima dell'utilizzo.



Indossare protezione acustica.



Indossare protezione per gli occhi .



Conformità con le direttive della Comunità Europea.



Indossare mascherina antipolvere.



« Classe II - Il macchinario è doppiamente isolato, non necessita di cavo terra. »

5. AVVERTENZE GENERALI DI SICUREZZA PER GLI UTENSILI ELETTRICI



ATTENZIONE! Leggere tutte le avvertenze di sicurezza e le istruzioni. Eventuali omissioni nell'adempimento delle avvertenze di sicurezza e delle istruzioni potranno causare scosse elettriche, incendi e/o lesioni gravi. **Conservare tutte le avvertenze di sicurezza e le istruzioni per un uso futuro!** Il termine "utensile elettrico" utilizzato nelle avvertenze di sicurezza si riferisce ad utensili elettrici alimentati dalla rete (con linea di allacciamento), nonché ad utensili elettrici alimentati a pile (senza linea di allacciamento).

5.1) Sicurezza sul luogo di lavoro

- a) Mantenere pulito e ben illuminato il posto di lavoro. Il disordine o le zone di lavoro non illuminate possono essere causa di incidenti
- b) Evitare d'impiegare l'utensile elettrico in ambienti soggetti al rischio di esplosioni nei quali si trovino liquidi, gas o polveri infiammabili. Gli utensili elettrici producono scintille che possono far infiammare la polvere o i gas.
- c) Mantenere lontani i bambini ed altre persone durante l'impiego dell'utensile elettrico. Eventuali distrazioni potranno comportare la perdita del controllo sull'utensile.

5.2) Sicurezza elettrica

- a) La spina dell'utensile elettrico per la presa di corrente dovrà essere adatta alla presa. Evitare assolutamente di apportare modifiche alla spina. Non utilizzare adattatori insieme a utensili elettrici con messa a terra. Le spine non modificate e le prese adatte allo scopo riducono il rischio di scosse elettriche
- b) Evitare il contatto fisico con superfici collegate a terra, come tubi, riscaldamenti, cucine elettriche e frigoriferi. Sussiste un maggior rischio di scosse elettriche nel momento in cui il corpo è messo a massa.
- c) Custodire l'utensile elettrico al riparo dalla pioggia o dall'umidità. L'eventuale infiltrazione di acqua in un utensile elettrico va ad aumentare il rischio d'insorgenza di scosse elettriche.
- d) Non usare il cavo per scopi diversi da quelli previsti al fine di trasportare o appendere l'utensile elettrico, oppure di togliere la spina dalla presa di corrente. Mantenere l'utensile elettrico al riparo da fonti di calore, dall'olio, dagli spigoli o da parti di utensili in movimento. I cavi danneggiati o aggrovigliati aumentano il rischio d'insorgenza di scosse elettriche.
- e) Qualora si voglia usare l'utensile elettrico all'aperto,

impiegare solo ed esclusivamente cavi di prolunga adatti per l'impiego all'esterno. L'uso di un cavo di prolunga omologato per l'impiego all'esterno riduce il rischio d'insorgenza di scosse elettriche.

- f) Quando non è possibile evitare l'uso dell'utensile elettrico in ambienti umidi, impiegare un interruttore differenziale. L'impiego di un interruttore differenziale riduce il rischio di scossa elettrica.

5.3) Sicurezza delle persone

- a) È importante concentrarsi su ciò che si sta facendo e maneggiare con giudizio l'utensile elettrico durante le operazioni di lavoro. Non utilizzare l'utensile elettrico in caso di stanchezza o sotto l'effetto di droghe, bevande alcoliche e medicinali. Un attimo di distrazione durante l'uso dell'utensile elettrico potrà causare lesioni gravi.
- b) Indossare sempre equipaggiamento protettivo individuale, nonché guanti protettivi. Se si avrà cura d'indossare equipaggiamento protettivo individuale come la maschera antipolvere, la calzatura antiscivolo di sicurezza, il casco protettivo o la protezione per l'udito, a seconda dell'impiego previsto per l'utensile elettrico, si potrà ridurre il rischio di ferite.
- c) Evitare l'accensione involontaria dell'utensile. Accertarsi che l'utensile elettrico sia spento prima di collegarlo all'alimentazione di corrente e/o alla batteria, di prenderlo o di trasportarlo. Il fatto di tenere il dito sopra l'interruttore o di collegare l'utensile elettrico acceso all'alimentazione di corrente potrà essere causa di incidenti.
- d) Togliere gli attrezzi di regolazione o la chiave inglese prima di accendere l'utensile elettrico. Un utensile o una chiave inglese che si trovino in una parte di utensile in rotazione potranno causare lesioni.
- e) Evitare di mantenere posizioni anomale del corpo. Avere cura di mettersi in posizione sicura e di mantenere l'equilibrio. In questo modo sarà possibile control-

lare meglio l'utensile elettrico in situazioni inaspettate.

- f) Indossare vestiti adeguati. Evitare di indossare vestiti ampi o gioielli. Tenere i capelli, i vestiti e i guanti lontani da parti in movimento. Vestiti ampi, gioielli o capelli lunghi potranno impigliarsi in parti in movimento.
- g) Se sussiste la possibilità di montare dispositivi di aspirazione o di captazione della polvere, assicurarsi che gli stessi siano stati installati correttamente e vengano utilizzati senza errori. L'utilizzo di un sistema di aspirazione della polvere può limitare i rischi derivanti dalla polvere.

5.4) Maneggio ed impiego accurato di utensili elettrici

- a) Non sovraccaricare l'utensile. Impiegare l'utensile elettrico adatto per sbrigare il lavoro. Utilizzando l'utensile elettrico adatto si potrà lavorare meglio e con maggior sicurezza nell'ambito della gamma di potenza indicata.
- b) Non utilizzare utensili elettrici con interruttori difettosi. Un utensile elettrico che non si può più accendere o spegnere è pericoloso e dovrà essere riparato.
- c) Prima di regolare o riporre l'utensile e sostituire accessori, estrarre la spina dalla presa e/o rimuovere la batteria. Tale precauzione eviterà che l'utensile elettrico possa essere messo in funzione inavvertitamente.
- d) Custodire gli utensili elettrici non utilizzati al di fuori della portata dei bambini. Non fare usare l'utensile a persone che non sono abituate ad usarlo o che non abbiano letto le presenti istruzioni. Gli utensili elettrici sono pericolosi se utilizzati da persone inesperte.
- e) Effettuare accuratamente la manutenzione dell'utensile elettrico. Verificare che le parti mobili dell'utensile funzionino perfettamente e non s'inceppino, che non ci siano pezzi rotti o danneggiati al punto tale da limitare la funzione dell'utensile elettrico stesso. Far riparare le parti danneggiate prima d'impiegare l'utensile. Numerosi incidenti vengono causati da utensili elettrici la cui manutenzione è stata effettuata poco accuratamente.
- f) Mantenere affilati e puliti gli utensili da taglio. Gli utensili da taglio curati con particolare attenzione e con taglienti affilati s'inceppano meno fre-

quentemente e sono più facili da condurre.

- g) Utilizzare l'utensile elettrico, gli accessori, gli utensili, ecc. soltanto in conformità con le presenti istruzioni. Osservare le condizioni di lavoro ed il lavoro da eseguirsi durante l'impiego. L'impiego di utensili elettrici per usi diversi da quelli consentiti potrà dar luogo a situazioni di pericolo.

5.5) Assistenza

Fare riparare l'utensile elettrico solo ed esclusivamente da personale specializzato e solo impiegando pezzi di ricambio originali. In tale maniera potrà essere salvaguardata la sicurezza dell'utensile.

6. ISTRUZIONI DI SICUREZZA SPECIFICHE

- Utilizzare l'utensile solo per levigatura a secco. Eventuali infiltrazioni di acqua nell'apparecchio possono causare uno shock elettrico.
- Mantenere le mani lontane dall'area di taglio. Non mettere le mani sotto il materiale durante la lavorazione. Il contatto con la lama può causare lesioni pericolose.
- Utilizzare strumentazione idonea per verificare che non si stia operando in prossimità linee di alimentazione. Rivolgersi alle autorità competenti per assistenza. Eventuale contatto con le linee elettriche può essere causa di incendi o shock elettrico. Danni a condutture gas possono causare esplosioni. Perforazioni di condutture idriche possono causare gravi danni o shock elettrico.
- Durante l'utilizzo è necessario impugnare fermamente l'utensile con entrambe le mani in modo da fornire stabilità e poterlo manovrare al meglio per la lavorazione.
- Mantenere pulita l'area di lavoro. Eventuali mix di materiali possono risultare pericolosi. Pulviscolo di leghe leggere può rivelarsi infiammabile o esplosivo.
- Indossare sempre guanti protettivi durante il cambiamento di parti o accessori.
- Parti e accessori si surriscaldano dopo un utilizzo prolungato.
- Non raschiare materiali inumiditi (es. carta da parati) o superfici leggermente bagnate. Eventuali infiltrazioni di acqua nell'apparecchio possono causare uno shock elettrico.
- Non pre-trattare la superficie con solventi. Il riscaldamento del materiale durante il raschiamento può infatti causare il diffondersi di fumi tossici.
- Prestare la massima cautela al raschiatore: l'accessorio è particolarmente affilato. Pericolo di lesioni.

7. MONTAGGIO



ATTENZIONE: Verificare sempre che il voltaggio corrisponda a quello specificato sulla targhetta. Rimuovere l'utensile dal proprio imballaggio. Non collegare le parti elettriche prima di averlo montato correttamente.

7.1) Montaggio mola di levigatura /lama/ spatola (Non in dotazione) (Fig. 1)



ATTENZIONE: Prima di procedere assicurarsi sempre che la presa di rete sia scollegata.

Prestare la massima attenzione all'affilatura degli utensili.

- Allentare la piastra di fissaggio (2) tirando la levetta di rilascio rapido(1) completamente.
- Regolare la ghiera di serraggio per inserire la mola di levigatura /lama/spatola tra la ghiera stessa e il piatto di serraggio, spingere bene l'accessorio fino ai perni di blocco.
- Chiudere la levetta di rilascio rapido (1) in posizione di bloccaggio, come mostrato nella Fig. 1.
- Rimuovere l'accessorio nella maniera opposta a quella indicata nei punti precedenti.



ATTENZIONE: Non utilizzare altri accessori non dedicati all'utensile.



ATTENZIONE: Controllare che il serraggio degli accessori sia corretto. Un cattivo serraggio può causare lo sgancio dell'accessorio durante la lavorazione, con conseguenti pericoli.

7.2) Montaggio/sostituzione della carta abrasiva (Non in dotazione)

Con attacco rapido e base di fissaggio.

- Posizionare la carta abrasiva e premere con la mano.
- Premere sulla carta dando un piccolo e fermo scatto contro la superficie della mola (8). Questo assicura una buona aderenza e ne previene l'usura prematura. Accendere l'utensile.
- Se si presentano punti consumati, estrarre la carta abrasiva, ruotarla di 120° e riposizionarla, oppure cambiarla direttamente.

7.3) Montaggio della bocchetta di aspirazione

Come raffigurato nella Fig. 1.

8. OPERAZIONI

8.1) Accensione/spengimento ON/OFF (Fig.2)

Controllare innanzitutto che cavo e presa non siano danneggiati.

- Collegare la presa all'alimentazione.
- Accensione dell'utensile ON: scorrere il pulsante di accensione ON/OFF(4) in avanti fino alla posizione (I).
- Spegnimento dell'utensile OFF: scorrere il pulsante di accensione ON/OFF(4) indietro fino alla posizione (O).

8.2) Regolazione Velocità (Fig. 3)

L'apparecchio può essere regolato a 6 velocità di lavorazione differenti. La posizione "1" indica quella più bassa, la "6" la più alta, e possono essere regolate attraverso l'apposita rotellina (3).

8.3) Consigli di utilizzo

8.3.1) Scelta dell'accessorio/applicazione

Accessorio	Applicazione
Lama per tagli dal pieno	Legno, plastica, gesso e altri materiali morbidi.
Lama per raschiatura	Legno, vernice, moquette, silicone e altri materiali elastici.
Mola di levigatura	A seconda dei gradi di levigatura.

8.3.2) Segare



Utilizzare solo lame senza imperfezioni o difetti. Lame deformate, smussate o danneggiate possono rompersi.



Tagli dal pieno possono essere effettuati solo su materiali morbidi, come legno, gesso, cartongesso, ecc.

Prima di utilizzare le lame per segare legno, truciolare, materiale edile ecc. assicurarsi che non vi siano corpi estranei come chiodi, viti o altro. Se necessario rimuovere tali corpi prima dell'utilizzo della lama.

8.3.3) Carteggiare

Il risultato di carteggiatura è determinato dalla scelta

della carta abrasiva, dalla velocità di oscillazione e dalla pressione applicata.

Solo fogli di carteggiatura impeccabili garantiranno buoni risultati e allungheranno la durata del vostro utensile. Prestare attenzione nell'esercitare una pressione uniforme mentre carteggiate. Questo aiuterà ad allungare la durata dei vostri fogli abrasivi.

Aumentare la pressione non significa aumentare le prestazioni, ma solo usurare di più l'utensile e i fogli abrasivi. Per la carteggiatura di spigoli, angoli ed aree difficili da raggiungere è anche possibile lavorare con l'estremità o con il bordo della piastra.

Quando si lavora con insistenza su uno stesso punto la carta abrasiva potrebbe surriscaldarsi.

Ridurre la velocità permetterà all'utensile di raffreddarsi. Un foglio di carta abrasiva utilizzato per metallo non dovrebbe essere utilizzato per altri materiali.

8.3.4) Levigare

Per levigare scegliere un'alta velocità.

Per lavorare una superficie morbida (es. legno) applicare solo una leggera pressione tenendo l'accessorio appoggiato completamente alla superficie, altrimenti il levigatore potrebbe effettuare un taglio.

9. PULIZIA E MANUTENZIONE



Prima di eseguire qualsiasi operazione sull'utensile, accertarsi che la presa di alimentazione sia staccata.

- Mantenere i fori di raffreddamento puliti da polvere e sporco per evitare un surriscaldamento dell'apparecchio.
- Pulire regolarmente l'esterno dell'utensile con un panno morbido, preferibilmente dopo ogni utilizzo.
- Se lo sporco non viene via, utilizzare un panno soffice inumidito con sapone.
- Non utilizzare solventi come petroli, alcool, ammoniac ecc. in quanto questi possono danneggiare le parti in plastica.



Assicurarsi sempre che non vi sia acqua all'interno dell'utensile!

10. DATI TECNICI

Modello nr.	CMT11
Voltaggio	220/240V
Frequenza di rete	50/60Hz
Potenza	300W
Velocità a vuoto	15000-21000 min ⁻¹
Peso elettroutensile	1,5 kg

11. RUMORE

Valori di emissioni rumorose secondo gli standard (K=3)

Livello acustico di pressione LpA	82 dB(A)
Livello acustico di potenza LwA	93 dB(A)



ATTENZIONE! Utilizzare protezioni acustiche se il suono supera gli 85 db(A)

aw (Vibrazione)	19,7 m/s ²	K = 1,5 m/s ²
-----------------	-----------------------	--------------------------

12. GARANZIA

CMT garantisce all'acquirente del prodotto che se eventuali componenti dovessero dimostrarsi difettosi a causa di difetti di materiale o di manodopera entro 1 ANNO dalla data di acquisto originale, CMT provvederà alla riparazione o a propria discrezione alla sostituzione della parte difettosa gratuitamente.

La garanzia non si applica all'utilizzo commerciale né si estende alla normale usura o a danni conseguenti ad incidenti, errato utilizzo o utilizzo improprio. Se il prodotto è difettoso o richiede una riparazione chiamare il avere indicazioni sul centro riparazioni autorizzato CMT più vicino. La garanzia non comprende eventuali spese da e verso l'utente. Se fuori Australia, contattare l'ufficio CMT più vicino (dettagli nel seguito) per accordi per la riparazione o la sostituzione del prodotto.

13. AMBIENTE



Non gettare tra i rifiuti domestici.

I rifiuti prodotti da materiale elettrico non dovrebbero essere trattati come normale spazzatura domestica. Se possibile si prega di portarlo in un centro di raccolta adibito a riciclaggio secondo criteri ecologici.

14. DICHIARAZIONE

DI CONFORMITÀ

Il sottoscritto:

CMT Utensili S.p.A.

con indirizzo:

Via della Meccanica

61122 Pesaro - Fraz. Chiusa di Ginestreto

Italia

Tel. #39 0721 48571

dichiara che

Prodotto: MULTI-USE TOOL

Modello: CMT11

è conforme alle principali richieste e alle norme applicabili dalle direttive Europee su applicazione degli standard di norme armonizzate. Ogni modifica non autorizzata dell'apparecchio esula e annulla tale dichiarazione.

Direttive Europee (e successive modifiche)

2011/65/EU

2006/42/EC

2004/108/EC

Norme armonizzate Europee (e successive modifiche)

EN60745-1: 2009

EN607 45-2-4: 2009

EN55014-1: 2006

EN55014-2: 1997

EN61000-3-2: 2006

EN61000-3-3: 2013

Documentazione tecnica presso:

CMT Utensili S.p.A.

I sottoscritti atti per conto del CEO della società,

Firmato: Marcello Tommassini

Presidente

Data: 17/03/2016



1	ANWENDUNG	36
2	BESCHREIBUNG (Abb. A)	36
3	LIEFERUMFANG.....	36
4	SYMBOLE	36
5	ALLGEMEINE SICHERHEITSHINWEISE FÜR ELEKTROWERKZEUGE	37
	5.1 Arbeitsplatzsicherheit	37
	5.2 Elektrische Sicherheit	37
	5.3 Sicherheit von Personen.....	37
	5.4 Sorgfältiger Umgang mit und Gebrauch von Elektrowerkzeugen	38
	5.5 Sorgfältiger Umgang mit und Gebrauch von Akkuwerkzeugen.....	38
	5.6 Service.....	38
6	SICHERHEIT DES MULTITOOLS.....	38
7	MONTAGE	39
	7.1 Montage der Schleifplatte/Tauchsäge (Abb. 1)	39
	7.2 Montage/Wechseln des Schleifpapiers	39
	7.3 Montage des Absaugschlauchs.....	39
8	BETRIEB	39
	8.1 Ein- / Ausschalten (Abb. 2)	39
	8.2 Drehzahl verstellen (Abb. 3)	39
	8.3 Hinweise	39
	8.3.1 Werkzeug/Zubehör wählen	39
	8.3.2 Sägen.....	40
	8.3.3 Schleifen	40
	8.3.4 Schaben.....	40
9	WARTUNG UND SERVICE	40
10	TECHNISCHE DATEN.....	40
11	GERÄUSCH	40
12	GARANTIE	40
13	UMWELTSCHUTZ	41
14	KONFORMITÄTSERKLÄRUNG.....	41

1. ANWENDUNG

Zum Schleifen kleiner Flächen, Ecken und Kanten, zum Sägen von dünnen Blechen, Holz- und Kunststoffteilen, zum Schaben, Polieren, Raspeln, Schneiden und Trennen mit den geeigneten Einsatzwerkzeugen und Zubehör.



ACHTUNG! Verwenden Sie dieses Elektrowerkzeug nicht, bevor Sie diese Betriebsanleitung sowie die beiliegenden „Allgemeinen Sicherheitshinweise“ gründlich gelesen und vollständig verstanden haben.

2. BESCHREIBUNG (Abb. A)

1. Lösehebel
2. Befestigungselement
3. Schwingfrequenzregler
4. Ein- / Ausschalter
5. Lüftungsöffnungen
- 6, 7, 8, 9. Absaugschlauch und Ansaugstutzen
10. Handgriff (in den Griffbereich A oder B montieren).

3. LIEFERUMFANG

- 1 x Oszillationswerkzeug Multi-Tool
- 1 x Handgriff
- 1 x Absaugschlauch
- 1 x Bedienungsanleitung
- 1 x Tragekoffer

- Inhalt von der Verpackung entfernen
- Eventuelle Packungsbeilagen entfernen
- Lieferumfang prüfen
- Das Gerät, die Netzanschlussleitung, den Netzstecker und das Zubehör auf Beschädigungen prüfen
- Inhalt der Verpackung bis zum Ablauf der Gewährleistungsfrist behalten und gemäß der lokalen Entsorgungs- und Umweltvorschriften anschließend entsorgen



ACHTUNG: Das Gerät und das Zubehör sind keine Spielzeuge. Kinder fern halten. Erstickungsgefahr!

Bei fehlenden oder beschädigten Bestandteile, bitte wenden Sie sich an Ihren Händler.



4. SYMBOLE

In dieser Bedienungsanleitung werden folgende Symbole verwendet:



Verletzungsgefahr oder Tool-Beschädigungen



Bedienungsanleitung vor dem Gebrauch unbedingt lesen



Gehörschutz benutzen



Augenschutz benutzen



In Übereinstimmung mit den europäischen Richtlinien



Staubschutz benutzen



« Schutzklasse II - Tool ist doppelt isoliert. Erdungsdraht nicht nötig »

5. ALLGEMEINE SICHERHEITSHINWEISE FÜR ELEKTROWERKZEUGE



WARNUNG: Lesen Sie alle Sicherheitshinweise und Anweisungen. Versäumnisse bei der Einhaltung der Sicherheitshinweise und Anweisungen können elektrischen Schlag, Brand und/oder schwere Verletzungen verursachen.

Bewahren Sie alle Sicherheitshinweise und Anweisungen für die Zukunft auf! Der in den Sicherheitshinweisen verwendete Begriff „Elektrowerkzeug“ bezieht sich auf netzbetriebene Elektrowerkzeuge (mit Netzkabel) und auf akkubetriebene Elektrowerkzeuge (ohne Netzkabel).

5.1) Arbeitsplatzsicherheit

- a) Halten Sie Ihren Arbeitsbereich sauber und gut beleuchtet. Unordnung oder unbeleuchtete Arbeitsbereiche können zu Unfällen führen.
- b) Arbeiten Sie mit dem Elektrowerkzeug nicht in explosionsgefährdeter Umgebung, in der sich brennbare Flüssigkeiten, Gase oder Stäube befinden. Elektrowerkzeuge erzeugen Funken, die den Staub oder die Dämpfe entzünden können.
- c) Halten Sie Kinder und andere Personen während der Benutzung des Elektrowerkzeugs fern. Bei Ablenkung können Sie die Kontrolle über das Gerät verlieren.

5.2) Elektrische Sicherheit

- a) Der Anschlussstecker des Elektrowerkzeuges muss in die Steckdose passen. Der Stecker darf in keiner Weise verändert werden. Verwenden Sie keine Adapterstecker gemeinsam mit schutzgeerdeten Elektrowerkzeugen. Unveränderte Stecker und passende Steckdosen verringern das Risiko eines elektrischen Schlages.
- b) Vermeiden Sie Körperkontakt mit geerdeten Oberflächen, wie von Rohren, Heizungen, Herden und Kühlschränken. Es besteht ein erhöhtes Risiko durch elektrischen Schlag, wenn Ihr Körper geerdet ist.
- c) Halten Sie Elektrowerkzeuge von Regen oder Nässe fern. Das Eindringen von Wasser in ein Elektrowerkzeug erhöht das Risiko eines elektrischen Schlages.
- d) Zweckentfremden Sie das Kabel nicht, um das Elektrowerkzeug zu tragen, aufzuhängen oder um den Stecker aus der Steckdose zu ziehen. Halten Sie das Kabel fern von Hitze, Öl, scharfen Kanten oder sich bewegenden Geräteteilen. Beschädigte oder verwickelte Kabel erhöhen das Risiko eines elektrischen Schlages.
- e) Wenn Sie mit einem Elektrowerkzeug im Freien arbeiten, verwenden Sie nur Verlängerungskabel, die auch für den Außenbereich geeignet sind. Die An-

wendung eines für den Außenbereich geeigneten Verlängerungskabels verringert das Risiko eines elektrischen Schlages.

- f) Wenn der Betrieb des Elektrowerkzeuges in feuchter Umgebung nicht vermeidbar ist, verwenden Sie einen Fehlerstromschutzschalter. Der Einsatz eines Fehlerstromschutzschalters vermindert das Risiko eines elektrischen Schlages.

5.3) Sicherheit von Personen

- a) Seien Sie aufmerksam, achten Sie darauf, was Sie tun, und gehen Sie mit Vernunft an die Arbeit mit einem Elektrowerkzeug. Benutzen Sie kein Elektrowerkzeug, wenn Sie müde sind oder unter dem Einfluss von Drogen, Alkohol oder Medikamenten stehen. Ein Moment der Unachtsamkeit beim Gebrauch des Elektrowerkzeuges kann zu ernsthaften Verletzungen führen.
- b) Tragen Sie persönliche Schutzausrüstung und immer eine Schutzbrille. Das Tragen persönlicher Schutzausrüstung, wie Staubmaske, rutschfeste Sicherheitsschuhe, Schutzhelm oder Gehörschutz, je nach Art und Einsatz des Elektrowerkzeuges, verringert das Risiko von Verletzungen.
- c) Vermeiden Sie eine unbeabsichtigte Inbetriebnahme. Vergewissern Sie sich, dass das Elektrowerkzeug ausgeschaltet ist, bevor Sie es an die Stromversorgung und/oder den Akku anschließen, es aufnehmen oder tragen. Wenn Sie beim Tragen des Elektrowerkzeuges den Finger am Schalter haben oder das Gerät eingeschaltet an die Stromversorgung anschließen, kann dies zu Unfällen führen.
- d) Entfernen Sie Einstellwerkzeuge oder Schraubenschlüssel, bevor Sie das Elektrowerkzeug einschalten. Ein Werkzeug oder Schlüssel, der sich in einem drehenden Geräteteil befindet, kann zu Verletzungen führen.
- e) Vermeiden Sie eine abnormale Körperhaltung. Sorgen Sie für einen sicheren Stand und halten Sie jed-

erzeit das Gleichgewicht. Dadurch können Sie das Elektrowerkzeug in unerwarteten Situationen besser kontrollieren.

- f) Tragen Sie geeignete Kleidung. Tragen Sie keine weite Kleidung oder Schmuck. Halten Sie Haare, Kleidung und Handschuhe fern von sich bewegenden Teilen. Lockere Kleidung, Schmuck oder lange Haare können von sich bewegenden Teilen erfasst werden.
- g) Wenn Staubabsaug- und -Auffangeinrichtungen montiert werden können, vergewissern Sie sich, dass diese angeschlossen sind und richtig verwendet werden. Verwendung einer Staubabsaugung kann Gefährdungen durch Staub verringern.

5.4) Sorgfältiger Umgang mit und Gebrauch von Elektrowerkzeugen

- a) Überlasten Sie das Gerät nicht. Verwenden Sie für Ihre Arbeit das dafür bestimmte Elektrowerkzeug. Mit dem passenden Elektrowerkzeug arbeiten Sie besser und sicherer im angegebenen Leistungsbereich.
- b) Benutzen Sie kein Elektrowerkzeug, dessen Schalter defekt ist. Ein Elektrowerkzeug, das sich nicht mehr ein- oder ausschalten lässt, ist gefährlich und muss repariert werden.
- c) Ziehen Sie den Stecker aus der Steckdose und/ oder entfernen Sie den Akku, bevor Sie Geräteeinstellungen vornehmen, Zubehörteile wechseln oder das Gerät weglegen. Diese Vorsichtsmaßnahme verhindert den unbeabsichtigten Start des Elektrowerkzeuges.
- d) Bewahren Sie unbenutzte Elektrowerkzeuge außerhalb der Reichweite von Kindern auf. Lassen Sie Personen das Gerät nicht benutzen, die mit diesem nicht vertraut sind oder diese Anweisungen nicht gelesen haben. Elektrowerkzeuge sind gefährlich, wenn Sie von unerfahrenen Personen benutzt werden.
- e) Pflegen Sie Elektrowerkzeuge mit Sorgfalt. Kontrollieren Sie, ob bewegliche Teile einwandfrei funktionieren und nicht klemmen, ob Teile gebrochen oder so beschädigt sind, dass die Funktion des Elektrowerkzeuges beeinträchtigt ist. Lassen Sie beschädigte Teile vor dem Einsatz des Gerätes reparieren. Viele Unfälle haben ihre Ursache in schlecht gewarteten Elektrowerkzeugen.
- f) Halten Sie Schneidwerkzeuge scharf und sauber. Sorgfältig gepflegte Schneidwerkzeuge mit scharfen Schneidkanten verklemmen sich weniger und sind leichter zu führen.
- g) Verwenden Sie Elektrowerkzeug, Zubehör, Einsatz-

werkzeuge usw. entsprechend diesen Anweisungen. Berücksichtigen Sie dabei die Arbeitsbedingungen und die auszuführende Tätigkeit. Der Gebrauch von Elektrowerkzeugen für andere als die vorgesehenen Anwendungen kann zu gefährlichen Situationen führen.

5.5) Service

Lassen Sie Ihr Elektrowerkzeug nur von qualifiziertem Fachpersonal und nur mit Original-Ersatzteilen reparieren.

In dieser Weise kann die Sicherheit des Elektrowerkzeuges erhalten bleiben.

6. SICHERHEIT DES MULTITOOLS

- Das Multitool nur zum Trockenschleifen benutzen. Das Eindringen von Wasser in ein Ladegerät erhöht das Risiko eines elektrischen Schlages.
- Halten Sie die Hände vom Sägebereich fern. Greifen Sie nicht unter das Werkstück. Bei Kontakt mit dem Sägebrett besteht Verletzungsgefahr.
- Verwenden Sie geeignete Suchgeräte, um verborgene Versorgungsleitungen aufzuspüren, oder ziehen Sie die örtliche Versorgungsgesellschaft hinzu. Kontakt mit Elektroleitungen kann zu Feuer und elektrischem Schlag führen. Schäden an Gasleitungen können zu Explosionen führen. Schäden an Wasserleitungen können einen elektrischen Schlag verursachen.
- Stellen Sie sicher, dass die zu bearbeitenden Materialien mit Klemmen oder Gerätesperren stabil gesichert sind.
- Halten Sie das Elektrowerkzeug beim Arbeiten fest mit beiden Händen und sorgen Sie für einen sicheren Stand. Das Elektrowerkzeug wird mit zwei Händen sicherer geführt.
- Halten Sie Ihren Arbeitsbereich sauber. Materialmischungen sind gefährlich. Leichtmetalllegierungen erzeugen Funken, die den Staub oder die Dämpfe entzünden können.
- Tragen Sie beim Wechsel der Einsatzwerkzeuge Schutzhandschuhe.
- Einsatzwerkzeuge werden bei längerem Gebrauch warm.
- Schaben Sie keine angefeuchteten Materialien (z.B. Tapeten) und nicht auf feuchtem Untergrund. Das Eindringen von Wasser in ein Elektrowerkzeug erhöht das Risiko eines elektrischen Schlages.
- Behandeln Sie die zu bearbeitende Fläche nicht mit

lösungsmittelhaltigen Flüssigkeiten. Durch die Erwärmung der Werkstoffe beim Schaben können giftige Dämpfe entstehen.

- Seien Sie beim Umgang mit Schaber und Messer besonders vorsichtig. Die Werkzeuge sind sehr scharf, es besteht Verletzungsgefahr.

7. MONTAGE



ACHTUNG: Prüfen Sie immer, dass die Netzspannung mit der Gerätespannung auf dem Typenschild übereinstimmt. Entfernen Sie das Multitool von der Verpackung. Das Multitool ans Stromnetz nur nach der Montage anschließen.

7.1) Montage der Schleifplatte und des Tauchsägeblattes (Abb. 1) (Nicht enthalten)



ACHTUNG: Ziehen Sie immer den Netzstecker aus der Steckdose, bevor Sie das Multitool montieren oder verstellen.

Arbeiten Sie sorgfältig mit Tauchsägen, Sägeblätter oder Messer.

- Ziehen Sie den Spannhebel (1) auf, um das Befestigungselement (2) zu lösen.
- Setzen Sie das Einsatzwerkzeug, so auf die Werkzeugaufnahme, dass die Aussparungen des Werkzeugs auf den Nocken der Werkzeugaufnahme einrasten.
- Ziehen Sie den Spannhebel (1) fest, um das Werkzeug wie im Abbildung 1 angezeigt zu sichern.
- In umgekehrter Reihenfolge verfahren, um das Werkzeug zu entfernen.



ACHTUNG: Kein unpassendes Zubehör benutzen.



WARNUNG: Prüfen Sie das Einsatzwerkzeug auf festen Sitz. Falsch oder nicht sicher befestigte Einsatzwerkzeuge können sich während des Betriebs lösen und Sie gefährden.

7.2) Schleifpapier aufsetzen/wechseln (nicht enthalten)

Mit Klettverschluß

- Setzen Sie das Schleifpapier und drücken Sie es gut fest.

- Drücken Sie das Schleifpapier kurz und fest auf der Oberfläche der Schleifplatte (8) und schalten Sie das Gerät ein. Dies bewirkt eine sichere Verbindung und verhindert frühzeitigen Verschleiß.
- Bei Verschleiß entfernen Sie das Schleifpapier, drehen Sie es um 120° und wieder aufsetzen, oder wechseln Sie das Schleifpapier.

7.3) Montage des Absaugschlauchs

Wie im Abbildung 1 angezeigt.

8. BETRIEB

8.1) Ein- / Ausschalten (Abb. 2)

Stellen Sie sicher, dass Netzkabel und Netzstecker nicht beschädigt sind.

- Netzkabel ans Stromnetz anschließen
- Zum Einschalten des Elektrowerkzeugs schieben Sie den Ein-/ Ausschalter (4) nach vorn, sodass am Schalter „I“ erscheint.
- Zum Ausschalten des Elektrowerkzeugs schieben Sie den Ein-/Ausschalter (4) nach hinten, sodass am Schalter „0“ erscheint.

8.2) Drehzahl verstellen (Abb. 3)

Es können 6 unterschiedliche Geschwindigkeiten eingestellt werden. „1“ ist die niedrigste Maximalgeschwindigkeit erreichbar und „6“ ist die höchste. Mit dem Stellrad Schwingzahlvorwahl (3) können Sie die benötigte Schwingzahl auch während des Betriebes vorwählen

Die erforderliche Schwingzahl ist vom Werkstoff und den Arbeitsbedingungen abhängig und kann durch praktischen Versuch ermittelt werden.

8.3) Hinweise

8.3.1) Werkzeug/Zubehör wählen

Zubehör	Werkstoff
Tauchsägeblatt Holz	Holz, Kunststoff, Gips und weitere weiche Materialien.
Schaber	Holz, Lack, Teppich, Silikon, und weitere elastische Materialien.
Schleifplatte	Abhängend vom Schleifpapier.

8.3.2) Sägen



Verwenden Sie nur unbeschädigte, einwandfreie Sägeblätter. Verbogene oder unscharfe Sägeblätter können brechen, den Schnitt negativ beeinflussen oder einen Rückschlag verursachen.

Es dürfen nur weiche Werkstoffe wie Holz, Gipskarton o.Ä. im Tauchsägeverfahren bearbeitet werden!

Prüfen Sie vor dem Sägen mit HCS-Sägeblättern in Holz, Spanplatten, Baustoffen etc. diese auf Fremdkörper wie Nagel, Schrauben o.Ä. Entfernen Sie die Fremdkörper gegebenenfalls oder verwenden Sie Bi-Metall-Sägeblätter.

8.3.3) Schleifen

Die Abtragsleistung und das Schliffbild werden im Wesentlichen durch die Wahl des Schleifblattes, die vorgewählte Schwingzahlstufe und den Anpressdruck bestimmt. Nur einwandfreie Schleifblätter bringen gute Schleifleistung und schonen das Elektrowerkzeug. Achten Sie auf gleichmäßigen Anpressdruck, um die Lebensdauer der Schleifblätter zu erhöhen. Eine übermäßige Erhöhung des Anpressdruckes führt nicht zu einer höheren Schleifleistung, sondern zu stärkerem Verschleiß des Elektrowerkzeuges und des Schleifblattes. Zum punktgenauen Schleifen von Ecken, Kanten und schwer zugänglichen Bereichen können Sie auch allein mit der Spitze oder einer Kante der Schleifplatte arbeiten. Beim punktuellen Schleifen kann sich das Schleifblatt stark erwärmen. Reduzieren Sie Schwingzahl und Anpressdruck, und lassen Sie das Schleifblatt regelmäßig abkühlen. Benutzen Sie ein Schleifblatt, mit dem Metall bearbeitet wurde, nicht mehr für andere Materialien. Verwenden Sie nur original Bosch-Schleifzubehör. Schließen Sie zum Schleifen immer eine Staubabsaugung an.

8.3.4) Schaben

Wählen Sie beim Schaben eine hohe Schwingzahlstufe. Arbeiten Sie auf weichem Untergrund (z.B. Holz) in flachem Winkel und mit geringem Anpressdruck. Der Spachtel kann sonst in den Untergrund schneiden.

9. WARTUNG UND SERVICE



Ziehen Sie vor allen Arbeiten am Elektrowerkzeug den Netzstecker aus der Steckdose.

- Halten Sie das Elektrowerkzeug, um gut und sicher zu arbeiten.
- Reinigen Sie Riff-Einsatzwerkzeuge (Zubehör) regelmäßig mit einer Drahtbürste.
- Halten Sie die Lüftungsschlitze sauber.
- Wenn der Schmutz sich nicht löst. einen Lappen mit Seifenwasser benutzen.
- Verwenden Sie keinen Benzin, Aceton oder Ammonia. Diese Lösungsmittel können die Kunststoffbauteile beschädigen.



Halten Sie Wasser vom Innen des Gerätes weg!

10. TECHNISCHE DATEN

Modell-Nr.	CMT11
Spannung	220/240V
Frequenz	50/60 Hz
Leistung	300W
Leerlaufdrehzahl	15000-21000 min ⁻¹
Gewicht Oberfräse	1,5 kg

11. GERÄUSCH

Geräuschemissionswerte ermittelt entsprechend (K=3)

Schalldruckpegel LpA	82 dB(A)
Schallleistungspegel LwA	93 dB(A)



ACHTUNG! Beim Schalldruckpegel über 85 dB(A) Gehörschutz tragen.

aw (Vibration)	19,7 m/s ²	K = 1,5 m/s ²
----------------	-----------------------	--------------------------

12. GARANTIE

CMT gibt dem Käufer dieses Produktes die Garantie, dass im Falle eines Defektes eines Teils des Geräts auf Grund von Materialschaden oder fehlerhafter Verarbeitung innerhalb von 12 MONATEN nach dem Da-

tum des Erstkaufs CMT das fehlerhafte Teil repariert oder bzw. nach eigenem Ermessen ersetzt.

Ausgeschlossen von dieser Garantie sind Schäden, die durch Missbrauch, Vernachlässigung, Unfall oder normalen Verschleiß & Abnutzung entstehen.

Tritt während der Garantiezeit am Produkt ein Defekt auf oder muss eine Wartung durchgeführt werden, können Sie unter Standort Ihres nächstgelegenen autorisierten CMT-Reparaturzentrums erfahren.

13. UMWELTSCHUTZ



Gemäß der lokale Richtlinie über Elektro- und Elektronik- Altgeräte und ihrer Umsetzung in nationales Recht müssen nicht mehr gebrauchsfähige Elektrowerkzeuge getrennt gesammelt und einer umweltgerechten Wiederverwertung zugeführt werden.

14. KONFORMITÄTSERK-LÄRUNG

Die unterzeichnende Firma:

CMT Utensili S.p.A.

mit der Adresse:

Via della Meccanica

61122 Pesaro - Fraz. Chiusa di Ginestreto

Italien

Tel. #39 0721 48571

erklärt dass:

Produkt: OSZILLATIONS-MULTITOOL

Modell: CMT11

mi den grundlegenden Anforderungen und den anderen relevanten Vorschriften der folgenden Richtlinien, basiert auf den Anforderungen international Normung und europäischer harmonisierten Verordnungen, übereinstimmen. Die unbefügten Modifikationen des Gerätes machen diese Konformitätserklärung ungültig.

Europäische Richtlinien (einschließlich , gegebenenfalls, ihre Modifikationen bis dem Datum der Unterschrift)

2011/65/EU

2006/42/EC

2004/108/EC

Europäische harmonisierte Verordnungen (einschließlich, gegebenenfalls, ihre Modifikationen bis dem Datum der Unterschrift)

EN60745-1: 2009

EN607 45-2-4: 2009

EN55014-1: 2006

EN55014-2: 1997

EN61000-3-2: 2006

EN61000-3-3: 2013

Verwalter der Technischen Dokumentation

CMT Utensili S.p.A.

Der Unterzeichnende bescheinigt im Auftrag vom Geschäftsführer der Firma

Unterzeichnet: Marcello Tommassini
Vorsitzender

Datum: 17/03/2016



1	ZASTOSOWANIE	43
2	OPIS ELEKTRONARZĘDZIA (RYS. A).....	43
3	WYPOSAŻENIE	43
4	UŻYTE SYMBOLE, SKRÓTY I POJĘCIA.....	43
5	OGÓLNE WARUNKI BEZPIECZEŃSTWA	44
	5.1 BEZPIECZEŃSTWO W MIEJSCU PRACY	44
	5.2 BEZPIECZEŃSTWO ELEKTRYCZNE	44
	5.3 BEZPIECZEŃSTWO OSÓB	44
	5.4 OSTROŻNA OBSŁUGA I STOSOWANIE NARZĘDZI ELEKTRYCZNYCH	45
	5.5 SERWIS	45
6	WSKAZÓWKI DOTYCZĄCE BEZPIECZEŃSTWA	45
7	MONTAŻ URZĄDZENIA	46
	7.1 MONTAŻ NARZĘDZIA WSTAWIANEGO (RYS. 1)	46
	7.2 MONTAŻ PAPIERU ŚCIERNEGO	46
	7.3 MONTAŻ ODCIĄGU PYŁU	46
8	OBSŁUGA ELEKTRONARZĘDZIA	46
	8.1 ZAŁĄCZANIE I WYŁĄCZENIE ON/OFF (RYS. 2)	46
	8.2 REGULACJA PRĘDKOŚCI (RYS. 3)	46
	8.3 PORADY DLA UŻYTKOWNIKÓW	47
	8.3.1 DOBÓR WŁAŚCIWYCH NARZĘDZI	47
	8.3.2 CIĘCIE	47
	8.3.3 SZLIFOWANIE	47
	8.3.4 SKROBANIE	47
9	CZYSZCZENIE I KONSERWACJA	47
10	DANE TECHNICZNE	48
11	NATEŻENIE HAŁASU	48
12	GWARANCJA.....	48
13	ŚRODOWISKO	48
14	DEKLARACJA ZGODNOŚCI	48

1. ZASTOSOWANIE

Wielofunkcyjne narzędzie oscylacyjne jest elektronarzędziem przeznaczonym głównie do prac wykończeniowych przy obróbce drewna, tworzyw sztucznych i metalu, szczególnie w miejscach narożnych i o utrudnionym dostępie.

Narzędzie pozwala na cięcie szlifowanie, oczyszczanie powierzchni i polerowanie za pomocą odpowiedniego narzędzia wstawianego.

Narzędzia nie wolno używać do obróbki materiałów innych niż wymienione w niniejszej instrukcji, np. do szlifowania gładzi gipsowych, szpachli zbrojonych włóknem itp

Przed przystąpieniem do pracy z narzędziem należy przeczytać całą instrukcję i ją zachować.



UWAGA! Powstający podczas szlifowania niektórych powierzchni pył może być szkodliwy dla zdrowia, a nawet toksyczny.

Powyższa uwaga dotyczy m.in. szlifowania powierzchni pokrytych farbami zawierającymi ołów, niektórych gatunków drewna, niektórych metali (np. ołów) i materiałów, dlatego przy pracy należy stosować skuteczny odciąg pyłu, maski przeciwpyłowe i inne środki ochrony skóry i dróg oddechowych. Za szkody powstałe w wyniku nie przestrzegania przepisów bezpieczeństwa i zaleceń niniejszej instrukcji dostawca nie ponosi odpowiedzialności.

2. OPIS ELEKTRONARZĘDZIA (RYS.A)

1. BLOKADA WRZECIONA
2. WRZECIONO
3. REGULACJA PRĘDKOŚCI
4. WŁĄCZNIK/WYŁĄCZNIK
5. OTWORY WENTYLACYJNE
- 6,7,8,9 ODCIĄG PYŁU I AKCESORIA
10. UCHWYT PRAWO LUB LEWOSTRONNY (A lub B)

3. WYPOSAŻENIE

- 1 x Wielofunkcyjne narzędzie oscylacyjne
- 1 x Uchwyt
- 1 x Odciąg pyłów
- 1 x Instrukcja obsługi
- 1 x Praktyczna walizka

- Wymij wszystkie części z opakowań
- Zdejmij wszystkie opakowania z urządzenia

- Sprawdź czy zawartość opakowania jest kompletna
- Sprawdź czy urządzenie i wszystkie jego części składowe są sprawne i nie zostały uszkodzone podczas transportu
- Staraj przechowywać się wszystkie materiały i opakowania jak najdłużej się da, przynajmniej do końca okresu gwarancyjnego, a następnie zutylizuj je zgodnie z obowiązującym prawem.



UWAGA: Materiały użyte do pakowania produktu nie są zabawkami! Dzieci nie mogą bawić się plastikowymi torbami, ponieważ może to grozić uduszeniem!

Jeśli w Twoim egzemplarzu brakuje jakiegokolwiek części, lub masz jakiegokolwiek wątpliwości skontaktuj się ze swoim sprzedawcą.



4. UŻYTE SYMBOLE, SKRÓTY I POJĘCIA



Ryzyku uszczerbku na zdrowiu i zniszczenia urządzenia



Przeczytaj instrukcję przed użyciem



Używaj środków ochrony przed hałasem



Używaj środków ochrony oczu



Potwierdza zgodność budowy elektronarzędzia z wytycznymi Wspólnoty Europejskiej



Używaj środków ochrony przeciwpyłowej



« Urządzenie II klasy izolacji, nie wymaga dodatkowego uziemienia »

5. OGÓLNE OSTRZEŻENIA DOTYCZĄCE BEZPIECZNEJ OBSŁUGI NARZĘDZI LEKTRYCZNYCH



UWAGA Zapoznać się ze wszystkimi ostrzeżeniami dotyczącymi bezpieczeństwa oraz z instrukcją. Ewentualne uchybienia w stosowaniu się do treści ostrzeżeń i instrukcji mogą doprowadzić do porażenia prądem, pożarów i/lub poważnych obrażeń ciała.

Należy zachować wszystkie ostrzeżenia dotyczące bezpieczeństwa oraz instrukcje, na wypadek potrzeby skorzystania z nich w przyszłości! Pojęciem narzędzie elektryczne używane w ostrzeżeniach bezpieczeństwa dotyczy urządzeń elektrycznych zasilanych z prądem z sieci (z przewodem zasilającym), a także narzędzia elektryczne zasilane bateriami (bez przewodu zasilającego)

5.1) Bezpieczeństwo w miejscu pracy

- a) Miejsce pracy należy utrzymywać w czystości i dobrze oświetlone. Nieporządek lub nieoświetlone strefy pracy mogą stać się przyczyną wypadków.
- b) Unikać stosowania narzędzi elektrycznych w pomieszczeniach zagrożonych wybuchem, w których znajdują się łatwopalne płyny, gazy lub pyły. Narzędzia elektryczne wytwarzają iskry, które mogą doprowadzić do zapłonu pyłu lub gazu.
- c) Dzieci i osoby postronne muszą zachować odpowiednią odległość w trakcie używania narzędzia elektrycznego. Ewentualne rozproszenie uwagi może doprowadzić do utraty kontroli nad narzędziem.

5.2) Bezpieczeństwo elektryczne

- a) Wtyczka narzędzia elektrycznego musi być dostosowana do gniazda. Bezwzględnie nie wolno wprowadzać modyfikacji do wtyczki. Nie używać rozgałęźników z narzędziami elektrycznymi z uziemieniem. Wtyczki bez modyfikacji i odpowiednie wtyczki redukują stopień ryzyka porażeniem prądem.
- b) Unikać kontaktu fizycznego z powierzchniami połączonymi z uziemieniem, takimi jak rury, ogrzewanie, kuchenki elektryczne i lodówki. Ryzyko porażenia prądem jest wyższe, gdy ciało jest uziemione.
- c) Chronić narzędzie elektryczne przed deszczem i wilgocią. Ewentualne przedostawanie się wody do narzędzia elektrycznego powoduje wzrost ryzyka porażenia prądem.
- d) Nie używać kabla do celów innych, niż przewidziane; kabel nie służy do przenoszenia lub chwytania urządzenia elektrycznego, ani do do wyjmowania wtyczki z gniazda. Narzędzie elektryczne należy utrzymywać z daleka od źródeł ciepła, od oleju, ostrych kątów i ruchomych części narzędzia. Uszkodzone lub poplątane kable zwiększają ryzyko porażenia prądem.
- e) Jeżeli zamierza się używać narzędzie elektryczne na otwartej przestrzeni, należy stosować tylko i wyłącznie przedłużacze przeznaczone do stosowania na zewnątrz. Stosowanie kabli z homologacją do użytku na zewnątrz redukuje ryzyko porażenia prądem.

- f) Jeżeli nie ma możliwości uniknięcia korzystania z narzędzia elektrycznego w wilgotnym środowisku, należy stosować wyłącznik różnicowo-prądowy. Zastosowanie wyłącznika różnicowo-prądowego redukuje ryzyko porażenia prądem

5.3) Bezpieczeństwo osób

- a) W czasie pracy należy pamiętać o tym, by skupiać się na tym, co jest wykonywane i posługiwać się rozsądnym narzędziem elektrycznym. Nie używać narzędzia elektrycznego w przypadku zmęczenia lub pod działaniem narkotyków, alkoholu lub środków medycznych. Jeden moment nieuwagi w czasie obsługi narzędzia elektrycznego może doprowadzić do poważnych obrażeń ciała.
- b) Zawsze należy nosić środki ochrony indywidualnej, a także rękawice ochronne. Pamiętając o noszeniu środków ochrony indywidualnej, takich jak maska przeciwpyłowa, obuwie BHP przeciwpoślizgowe, kask ochronny oraz ochraniacze uszu, w zależności od przewidzianego zastosowania narzędzia elektrycznego, można zredukować ryzyko obrażeń.
- c) Unikać przypadkowego włączania narzędzia. Przed podłączeniem narzędzia elektrycznego do prądu lub baterii, przed jego podniesieniem lub przeniesieniem, należy się upewnić, że jest wyłączone. Trzymanie palca na wyłączniku lub podłączenie włączonego narzędzia elektrycznego do prądu może stać się przyczyną wypadku.
- d) Przed włączeniem narzędzia elektrycznego należy zdjąć przyrządy do regulacji lub klucz płaski. Przyrząd lub klucz płaski na obracającym się narzędziu mogą doprowadzić do obrażeń ciała.
- e) Unikać nienaturalnej postawy ciała. Należy stać w pewnej pozycji, utrzymując stałą równowagę. To pozwoli na lepsze kontrolowanie narzędzia elektrycznego w razie zajścia nieoczekiwanej sytuacji.
- f) Nosić odpowiednią odzież. Unikać noszenia obszernej odzieży i biżuterii. Nie zbliżać włosów, odzieży i rękawic do ruchomych części. Obszerne odzież, biżuteria, długie włosy mogą wkręcić się w ruchome części.

- g) Jeżeli istnieje możliwość zamontowania wentylatorów lub urządzeń odprowadzających pyły, należy się upewnić, że zostały one prawidłowo zamontowane i są obsługiwane bez błędów. Stosowanie wentylatorów odprowadzających pyły może zredukować ryzyko powodowane obecnością pyłów.

5.4) Ostrożna obsługa i stosowanie narzędzi elektrycznych

- a) Nie wolno przeciążać urządzenia. Aby praca przebiegała sprawnie, należy używać odpowiednio dobrane narzędzie elektryczne. Używając odpowiednio dobrane narzędzie elektryczne można podnieść jakość pracy i bezpieczeństwa w podanym przedziale mocy.
- b) Nie używać narzędzi elektrycznych z uszkodzonym wyłącznikiem. Narzędzie elektryczne, którego nie można włączyć lub wyłączyć jest niebezpieczne i musi być naprawione.
- c) Przed wyregulowaniem lub ponownym użyciem narzędzia i wymianą akcesoriów, należy wyjąć wtyczkę z gniazda i/lub wyjąć baterie. Taki środek ostrożności pozwala zapobiec przypadkowemu uruchomieniu narzędzia.
- d) Nieużywane narzędzia należy przechowywać poza zasięgiem dzieci. Narzędzia nie mogą używać osoby, które nie są przyzwyczajane go jego obsługi oraz takie, które nie zapoznały się z niniejszą instrukcją. Narzędzia elektryczne są niebezpieczne w rękach niedoświadczonych osób.
- e) Przeprowadzić dokładną konserwację narzędzia elektrycznego. Należy sprawdzić czy ruchome części narzędzia działają w sposób idealny, bez zacinań się, że nie ma złamanych lub uszkodzonych części, które ograniczałyby funkcję narzędzia elektrycznego. Przed ponownym użyciem narzędzia, należy zlecić naprawę uszkodzonych części. Wiele wypadków jest spowodowanych narzędziami elektrycznymi, których konserwacja była przeprowadzana niedostatecznie dokładnie.
- f) Narzędzia do cięcia muszą być zawsze zaostrzone i czyste. Narzędzia do cięcia odpowiednio starannie zadbane, z zaostrzonymi ostrzami, zacinają się dużo rzadziej i są znacznie łatwiejsze w obsłudze.
- g) Narzędzie elektryczne, akcesoria, przyrządy należy używać wyłącznie zgodnie z niniejszą instrukcją. Przestrzegać podanych warunków pracy oraz wykonywać zalecane czynności w trakcie stosowania. Stosowanie narzędzi elektrycznych w celach innych niż dopuszczalne, może doprowadzić do niebezpiecznych sytuacji.

5.5) Serwis techniczny

Naprawy urządzeń elektrycznych należy zlecać wyłącznie wyspecjalizowanemu pracownikowi korzystającemu wyłącznie z oryginalnych części zamiennych. W ten sposób jest chronione bezpieczeństwo narzędzia.

6. WSKAZÓWKI DOTYCZĄCE BEZPIECZEŃSTWA

- Używaj urządzenia tylko do szlifowania na sucho, przenikanie wody do jego wnętrza może wiązać się z porażeniem użytkownika prądem.
- Trzymaj rękę z daleka od obszaru roboczego, nie trzymaj obrabianego materiału w rękach. Przynajmniej kontakt z ostrzem grozi kalectwem.
- Zawsze używaj profesjonalnych detektorów w celu wykrycia przewodów znajdujących się pod powierzchnią obrabianego materiału lub skontaktuj się z lokalnym zakładem elektrycznym. Uszkodzenie przewodów elektrycznych może skończyć się pożarem lub porażeniem prądem. Uszkodzenie przewodu z gazem może doprowadzić do wybuchu. Uszkodzenie instalacji wodno-kanalizacyjnych może doprowadzić do porażenia prądem i uszkodzenia mienia.
- Pracując urządzenie należy obsługiwać zawsze obiema rękami zachowując właściwą postawę. Ułatwia to manewrowanie nim.
- Zawsze odpowiednio zabezpieczaj obrabiany element. Użycie ścisków, zacisków lub imadła zapewni większe bezpieczeństwo pracy.
- Zachowuj czystość na stanowisku pracy. Mieszanki materiałów mogą okazać się niebezpieczne. Pyły z lekkich stopów mogą się zapalić lub spowodować wybuch.
- Używaj rękawic ochronnych podczas wymiany ostrzy urządzenia
- Pamiętaj, że narzędzia zawsze nagrzewają się podczas długotrwałej pracy.
- Nie szlifuj i nie skrob mokrych materiałów (np.: tapet) i powierzchni, przenikanie wody do wnętrza urządzenia może wiązać się z porażeniem użytkownika prądem.
- Nie należy pracować z powierzchniami i materiałami na które naniesiono rozpuszczalniki i inne substancje chemiczne, które pod wpływem tarcia i ciepła mogą stanowić zagrożenia dla operatora.

- Należy zachować maksymalną ostrożność podczas pracy z urządzeniem, wymienne końcówki są bardzo ostre i mogą spowodować trwałe uszkodzenia na zdrowiu, a nawet śmierć.

7. MONTAŻ URZĄDZENIA



UWAGA: Zawsze sprawdź czy napięcie sieciowe odpowiada temu podanemu na tabliczce znamionowej. Przed montażem wyjmij narzędzie z wszelkich opakowań i pod żadnym pozorem nie podpinaj do sieci przed zakończeniem montażu.

7.1) Montaż narzędzia wstawianego (Rys.1) (Nie zawiera)



UWAGA: Przed montażem ostrzy upewnij się, że narzędzie nie jest podłączone do sieci elektrycznej.

Zadbaj o odpowiednią ostrość swoich narzędzi, zapewni to bezpieczeństwo i komfort pracy.

- Podnieść dźwignię mechanizmu szybkiego montażu (2). Zainstalować narzędzie wstawiane przeznaczone do wybranego rodzaju pracy. Narzędzie wstawiane zamontować na uchwycie wrzeciona w taki sposób aby praca nim była łatwa i bezpieczna.
- Otwory w narzędziu wstawianym muszą pokrywać się z trzpieniami uchwytu wrzeciona
- Opuść dźwignię mechanizmu szybkiego montażu tak aby znalazła się w położeniu wyjściowym co spowoduje zamocowanie narzędzia w uchwycie wrzeciona.
- Docisnąć dźwignię szybkiego montażu, co pozwoli zapewnić bezpieczną pracę.



UWAGA: Narzędzie jest wyposażone w akcesoria przeznaczone do szybkiego montażu, nigdy nie używaj niepasujących akcesoriów, które mogą być niebezpieczne dla użytkownika.



UWAGA: Przed rozpoczęciem pracy sprawdź czy narzędzie wstawiane zostało prawidłowo zamocowane i czy nie wysunie się podczas pracy stwarzając zagrożenie.

7.2) Montaż i wymiana papieru ściernego (Nie zawiera)

Łatwy i szybki montaż dzięki systemowi rzepów.

- Przyczep papier ścierny do przystawki, tak aby ich krawędzie pokryły się i docisnij ręką
- Aby zapewnić odpowiednie trzymanie papieru docisnij go do płaskiego podłoża (8), zapewni to dobrą przyczepność i zapobieganie szybkiemu zużyciu
- Jeśli papier ścierny ulegnie zniszczeniu zdejmij go z przystawki, obróć o 120° i zamocuj na nowo, możesz także wymienić papier na nowy.

7.3) Montaż odciągu pyłu

Montaż odciągu pyłu pokazuje Rysunek 1.

8. OBSŁUGA ELEKTRONARZĘDZIA

8.1) Załączanie i wyłączenie ON/OFF (Rys.2)

Zawsze sprawdzaj czy kabel i wtyczka urządzenia nie są uszkodzone

- Podłącz wtyczkę do sieci elektrycznej
- Aby włączyć urządzenie przesunąć przycisk zasilania (4) do przodu (I)
- Aby wyłączyć urządzenie przesunąć przycisk zasilania (4) do tyłu (O).

8.2) Regulacja prędkości (rys. 3)

Urządzenie może pracować w 6 różnych prędkościach obrotowych. Ustawienie prędkości na pozycję numer "1" równa się najniższej prędkości, natomiast pozycja "6" oznacza prędkość najwyższą. Żądaną prędkość można ustawić za pomocą pokrętła regulacji prędkości (3) wybierając z przedziału od "1" do "6". Operator urządzenia może zmieniać prędkość obrotową dostosowując ją do danego rodzaju pracy.

8.3) Porady dla użytkowników

8.3.1) Dobór właściwych narzędzi

Akcesoria	Materiał
Brzeszczot do drewna	Materiały z drewna, plastiku, gipsu oraz pozostałych miękkich materiałów
Skrobak	Drewno, farby, silikon, kleje i lepikiorazi inne elastyczne materiały
Stopa szlifierska	Uzależniony od rodzaju stosowanego papieru ściernego

8.3.2) Cięcie



Używaj tylko sprawnych i nieuszkodzonych brzeszczotów. Zniszczone, uszkodzone lub tępe brzeszczoty mogą się złamać i zagrozić życiu lub zdrowiu.



Brzeszczoty mogą być używane jedynie do pracy w miękkich materiałach, takich jak drewno, płyty gipsowo-kartonowe, itp.

Przed przystąpieniem do pracy z drewnem, płytą wiórową czy materiałami budowlanymi sprawdź czy nie zawierają one gwoździ lub innych ciał obcych, które mogą uszkodzić brzeszczot i urządzenie. Jeśli to konieczne usuń ciała obce z obrabianego materiału, lub użyj brzeszczotu do metalu.

8.3.3) Szlifowanie

Szybkość i jakość szlifowania są zależne w głównej mierze od: rodzaju stosowanego papieru ściernego, szybkości obrotowej oraz docisku.

Tylko zastosowanie nieuszkodzonych, nie mających wad paierów ściernych gwarantuje długą pracę i bezawaryjność urządzenia.

Należy zwrócić uwagę na zastosowanie równomiernego nacisku szlifowania; zwiększa to żywotność arkuszy ściernych. Zbyt duży docisk nie prowadzi do zwiększenia wydajności a jedynie skraca żywotność papieru ściernego.

Do trudno dostępnych miejsc takich jak krawędzie i naroża idealnie nada się praca krawędzią lub końcówką stopy szlifierskiej.

Jeśli arkusz ścierny zbyt mocno się nagrzewa zmniejsz prędkość obrotową, powinno to rozwiązać problem.

Arkusz ścierny, który został wykorzystany do pracy z metalem nie powinien być używany do pracy z innymi materiałami.

8.3.4) Skrobanie

Dla uzyskania najlepszego efektu wybierz najwyższą prędkość obrotową

Pracuj na miękkim podłożu (np drewno) pod płaskim kątem z lekkim naciskiem. W przeciwnym przypadku skrobak może uszkodzić obrabianą powierzchnię.

9. CZYSZCZENIE I KONSERWACJA



Przed wykonaniem jakichkolwiek prac związanych z urządzeniem, należy wyciągnąć wtyczkę z gniazdka.

- Utrzymuj drożność otworów wentylacyjnych w celu zapobieżenia przegrzania silnika.
- Przecieraj obudowę urządzenia zwilżoną szmatką, najlepiej po każdym użyciu
- Otwory wentylacyjne muszą być wolne od kurzu i brudu
- Jeśli brud nie schodzi z urządzenia, użyj szmatki, woda i mydła
- Nigdy nie używaj rozpuszczalników, takich jak benzyna, alkohol, wody amoniakalnej, itp do czyszczenia urządzenia, gdyż mogą uszkodzić elementy z tworzywa sztucznego.



Upewnij się, że woda nie dotrze do wnętrza urządzenia!

10. DANE TECHNICZNE

Model	CMT11
Napięcie	220/240V
Częstotliwość sieci	50/60Hz
Moc	300W
Obroty bez obciążenia	15000-21000 min ⁻¹
Masa Frezarka	1,5 Kg

11. HAŁAS

Wartość emisji hałasu mierzona zgodnie z odpowiednią normą. (K=3)

Cisnienie akustyczne LpA	82 dB(A)
Moc akustyczna LwA	93 dB(A)



UWAGA! Zawsze zakładaj środki ochrony słuchu jeśli ciśnienie akustyczne przekracza 85 dB(A).

aw (Drgania)	19,7 m/s ²	K = 1,5 m/s ²
--------------	-----------------------	--------------------------

12. GWARANCJA

Firma CMT gwarantuje nabywcy tego produktu, że jeśli jakkolwiek jego część okaże się wadliwa w związku z powodem wadliwych materiałów lub wykonawstwa- w ciągu 1 roku od daty zakupu- firma CMT naprawi lub według własnego uznania wymieni bezpłatnie wadliwy sprzęt lub jego części.

Niniejsza gwarancja nie ma zastosowania do celów komercyjnych, ani nie obejmuje normalnego zużycia lub uszkodzenia w wyniku wypadku lub niewłaściwego użycia. Jeśli produkt jest uszkodzony lub wymaga naprawy, należy odnieść go do najbliższego przedstawiciela firmy.

Gwarancja nie obejmuje przesyłki od i do klienta.

13. ŚRODOWISKO



Nie należy wyrzucać elektronarzędzi z odpadami domowymi!

Zgodnie z Dyrektywą Europejską 2002/96/WE odnoszącą się do starych urządzeń elektrycznych i elektronicznych oraz jej tłumaczeniem na język prawa krajowego, elektronarzędzia muszą być utylizowane w odpowiedni sposób.

14. DEKLARACJA ZGODNOŚCI

Firma:

CMT Utensili S.p.A.

Adres:

Via della Meccanica
61122 Pesaro - Fraz. Chiusa di Ginestreto
Italia
Tel. #39 0721 48571

deklaruje, że

Produkt: WIELOFUNKCYJNE NARZĘDZIE OSCYLACYJNE

Model: CMT11

jest zgodny z zasadniczymi wymaganiami norm oraz pozostałymi stosownymi postanowieniami odpowiednich dyrektyw Unii Europejskiej, w oparciu o stosowanie europejskich norm zharmonizowanych. Wszelkie nieautoryzowane modyfikacje urządzenia unieważniają tę deklarację.

Dyrektywy europejskie (włączając, w stosownych przypadkach ich późniejsze zmiany do dnia podpisania)
2011/65/EU
2006/42/EC
2004/ 108/EC

Europejskie normy zharmonizowane (włączając, w stosownych przypadkach ich późniejsze zmiany do dnia);

EN60745-1: 2009
EN607 45-2-4: 2009
EN55014-1: 2006
EN55014-2: 1997
EN61000-3-2: 2006
EN61000-3-3: 2013

Opiekun dokumentacji technicznej:

CMT Utensili S.p.A.

Niżej podpisany działający w imieniu prezesa firmy:

Podpisany : Marcello Tommassini
Prezes

Data: 17/03/2016

CE R0HS

1. ПРИМЕНЕНИЕ	50
2. ОПИСАНИЕ (РИС. 1)	50
3. СОДЕРЖИМОЕ УПАКОВКИ	50
4. СИМВОЛЫ	50
5. ОБЩИЕ ПРЕДОСТЕРЕЖЕНИЯ ПРИ РАБОТЕ С ЭЛЕКТРОИНСТРУМЕНТОМ	51
5.1. Рабочее место	51
5.2. Электробезопасность	51
5.3. Личная безопасность	51
5.4. Использование и уход за электроинструментом	51
5.5. Обслуживание	52
6. СПЕЦИФИЧЕСКИЕ ПРЕДОСТЕРЕЖЕНИЯ ПРИ РАБОТЕ С СМТ11	52
7. СБОРКА	52
7.1. Установка шлифовальной насадки / пильного полотна / скребка (рис. 1)	52
7.2. Установка / смена шлифовальной бумаги	53
7.3. Установка насадки пылеотсоса	53
8. РАБОТА	53
8.1. Включение / Выключение (рис. 2)	53
8.2. Регулировка скорости	53
8.3. Применение	53
8.3.1. Выбор применяемого инструмента / аксессуара	53
8.3.2. Пиление	53
8.3.3. Шлифование	53
8.3.4. Скобление	54
9. ЧИСТКА И ОБСЛУЖИВАНИЕ	54
10. ТЕХНИЧЕСКИЕ ХАРАКТЕРИСТИКИ	54
11. ШУМ	54
12. ГАРАНТИЯ	54
13. ОКРУЖАЮЩАЯ СРЕДА	54
14. СООТВЕТСТВИЕ ТЕХНИЧЕСКОМУ РЕГЛАМЕНТУ	55

1. ПРИМЕНЕНИЕ

В зависимости от установленной насадки, электроинструмент может быть использован для шлифования небольших площадей, пиления, скобления, резки или разделения.



Осторожно! Внимательно прочтите эту инструкцию и основные правила безопасности перед использованием мультиинструмента для вашей собственной безопасности. Ваш мультиинструмент должен обязательно поставляться с данной инструкцией.

2. ОПИСАНИЕ (рис. 1)

1. Рычаг установки смены инструмента
2. Зажим установки/смены инструмента
3. Регулятор частоты колебаний
4. Кнопка включения / выключения
5. Вентиляционные отверстия
- 6, 7, 8, 9 Адаптер пылесоса и аксессуары
10. Рукоятка, устанавливаемая в позицию А или В

3. СОДЕРЖИМОЕ УПАКОВКИ

- 1 мультиинструмент
- 1 рукоятка
- 1 насадка для пылеудаления
- 1 инструкция
- 1 чемодан

Удалите все упаковочные материалы
Убедитесь в полном комплекте товара
Проверьте инструмент, шнур и аксессуары на предмет повреждений при транспортировке.
Оставьте упаковку до окончания гарантийного периода. После чего утилизируйте упаковку.



ВНИМАНИЕ, упаковка не игрушка! Дети не должны играть с пакетами! Есть опасность задохнуться!



4. СИМВОЛЫ

В данном руководстве используются следующие обозначения:



Означает риск пораниться или повредить инструмент



Прочтите инструкцию перед использованием



Используйте защиту от шума



Оденьте защитные очки



Соответствие европейским директивам



Оденьте маску в случае наличия пыли



Класс 2. Устройство снабжено двойной изоляцией. Заземляющий провод не требуется.

5. ОБЩИЕ ПРЕДУПРЕЖДЕНИЕ О БЕЗОПАСНОСТИ ПРИ РАБОТЕ С ЛЕКТРОИНСТРУМЕНТОМ



Предупреждение: прочтите все инструкции. Не следование инструкциям и предупреждениям может послужить причиной удара электрическим током, пожара и/или травмы.

Сохраните все инструкции и предупреждения на будущее.

5.1) Безопасность рабочего места

- a) Содержите рабочее место чистым и хорошо освещённым. Беспорядок и недостаток освещения могут спровоцировать несчастный случай.
- b) Не работайте электроинструментом во взрывоопасной обстановке, таких как наличие горючих жидкостей, смазок или пыли. Электроинструмент может вызвать искру, способную поджечь пыль или испарения.
- c) Держите детей и посторонних вне места работы электроинструмента. Отвлечение может спровоцировать потерю контроля над электроинструментом.

5.2) Электробезопасность

- a) Всегда проверяйте соответствие напряжения сети вольтажу электроприбора. Вилка электроприбора должна соответствовать розетке. Никогда никаким способом не изменяйте вилку и не используйте адаптеров заземления.
- b) Избегайте контакта с заземлёнными предметами, такими как трубы, радиаторы отопления, кухонная техника или холодильники. Это увеличивает риск получения удара током.
- c) Не пользуйтесь электроинструментом под дождём или при повышенной влажности. Вода, попавшая в электроинструмент, повышает риск удара током.
- d) Не повреждайте провод. Никогда не тяните за провод для переноса электроинструмента или отключения из розетки. Держите провод вдали от источников тепла, масла, острых предметов или движущихся частей. Спутанный или повреждённый провод повышает риск удара током.
- e) Если электроинструмент используется на улице, используйте подходящий для этого удлинитель.
- f) При необходимости работы электроинструментом в сыром месте, используйте устройство дифференциальной защиты (УЗО).

5.3) Личная безопасность

- a) Будьте внимательны, следите за тем что вы делаете и не

пользуйтесь электроинструментом в состоянии усталости или под воздействием медикаментов, алкоголя или наркотических веществ. Недостаточная концентрация может повлечь травму.

- b) Пользуйтесь средствами индивидуальной защиты. Всегда одевайте защитные очки. Экипировка, такая как респиратор, нескользящая обувь, плотный головной убор или защита органов слуха, используемые в соответствующих условиях, уменьшит вероятность травм.
- c) Избегайте случайного включения. Убедитесь в том, что прибор выключен перед подключением к электросети или блоку питания. Переносите электроинструмент, не прикасаясь к клавише (кнопке) включения.
- d) Уберите регулировочные ключи или другие приспособления перед включением электроинструмента.
- e) Оставляйте достаточное место для работы. Ничто не должно мешать вам держать инструмент крепко. В случае непредвиденных ситуаций это может помочь сохранить контроль.
- f) Одевайтесь соответственно. При работе с электроинструментом не одевайте свободную одежду и украшения. Держите свои волосы и края одежды в недосягаемости для движущихся частей.
- g) Если инструмент поставляется с насадками для пылеудаления или сбора частиц, убедитесь в том, что они подсоединены и используются правильно.

5.4) Использование и уход за электроинструментом

- a) Не перегружайте электроинструмент. Используйте правильный инструмент для своих работ. Правильно подобранный инструмент сделает работу, для которой он предназначен быстрее, легче и безопаснее.
- b) Не используйте инструмент при неисправной клавише (кнопке) включения / выключения. Такой инструмент опасен и необходимо починить.
- c) Отсоедините инструмент от источника питания перед проведением с ним каких-либо манипуляций:

регулировок, замене аксессуаров, чистки, уборки на хранение, чтобы избежать риска непроизвольного включения.

- d) Храните инструмент в недосягаемости для детей и не позволяйте лицам, не знакомым с данными инструкциями использовать электроинструмент. В руках неподготовленного пользователя электроинструмент может быть опасен.
- e) Обслуживайте электроинструмент. Проверяйте соответствие и крепление движущихся частей, поломки. Если инструмент повреждён, его необходимо починить перед использованием.
- f) Содержите режущие части инструмента чистыми и острыми. Электроинструмент с режущими частями в надлежащем состоянии проще контролировать в работе.
- g) Используйте инструмент только с совместимыми и предназначенными для него аксессуарами. В противном случае есть риск возникновения опасной ситуации.

5.5) Обслуживание

Обслуживайте свой электроинструмент только у сертифицированных специалистов, использующих оригинальные запчасти. Это гарантирует безопасное использование инструмента в дальнейшем.

6. ПРЕДУПРЕЖДЕНИЯ ПО РАБОТЕ С ОСЦИЛЛИРУЮЩИМ МУЛЬТИИНСТРУМЕНТОМ

- Используйте шлифовальную насадку только для сухого шлифования. Попадание воды в инструмент повышает риск удара током.
- Держите руки на расстоянии от места пиления. Не держите заготовку снизу. Контакт с режущим элементом может привести к травме.
- Используйте соответствующий детектор для обнаружения коммуникаций в рабочей зоне или вызовите специалистов для прояснения ситуации. Контакт с электросетью может вызвать удар током и/или спровоцировать возгорание, а повреждение газопровода может привести к взрыву. Нарушение водопровода чревато затоплением, а также риском получить удар током.
- Когда работаете с инструментом, всегда держите его крепко обеими руками для безопасности.

- По возможности, закрепите заготовку в тисках или струбцинами. Это безопаснее чем её удержание на весу.
- Держите заготовку в чистоте. Мелкие частицы могут быть опасны, а пыль, образующихся при обработке лёгких сплавов, может быть взрывоопасной.
- Заменяйте насадки или аксессуары в перчатках
- Насадки (аксессуары) нагреваются во время продолжительного использования.
- Не скоблийте мокрые материалы или мокрые поверхности. Попадание воды может вызвать удар током.
- Не обрабатывайте поверхности, обработанные растворителем. Разогретые при скоблении материалы могут источать токсичные испарения.
- Будьте крайне осторожны во время операции скобления. Насадка очень острая и можно легко получить травму.

7. СБОРКА



ПРЕДУПРЕЖДЕНИЕ: всегда проверяйте соответствие напряжение сети вольтажу, указанному на табличке электроинструмента. Выньте инструмент из упаковки. Не подключайте инструмент к электросети до полной подготовке к работе.

7.1) Установка шлифовального блока / пильной насадки / скребка (рис. 1) (Требующиеся приспособления не включены в данный комплект)



ПРЕДУПРЕЖДЕНИЕ: перед установкой насадки / аксессуара, а также перед регулировкой, выньте вилку инструмента из розетки.

Помните об остроте таких насадок как скребок, пильное полотно или режущее лезвие.

- Ослабьте зажимающую пластину (2) полностью откинув рычаг (1)
- Для смены пильной насадки, шлифовального блока или скребка, держите зажим шпинделя открытым. Установите аксессуар (насадку) между зажимающими пластинами и так, чтобы пазы и выступы совпадали.
- Зажмите насадку посредством возврата рычага (1) в

фиксирующее положение как показано на (рис.1)

- Для снятия насадки (аксессуара) повторите указанные выше шаги в обратном порядке.



ПРЕДУПРЕЖДЕНИЕ: не используйте неподходящие насадки (аксессуары)



ПРЕДУПРЕЖДЕНИЕ: убедитесь, что насадка установлена правильно и не болтается. Незакреплённый аксессуар может разболтаться во время работы и нанести травму.

7.2) Установка / смена шлифовальной бумаги (Требующиеся приспособления не включены в данный комплект)

с липучкой Велкро

- Поместите шлифовальную бумагу и прижмите рукой
- Прижмите шлифовальную бумагу посредством интенсивного быстрого нажима к шлифовальному блоку (8) и включите инструмент
- Это прилегание и уменьшит износ.
- В случае если рабочая область растрепалась, отклейте шлифовальную бумагу, поверните на 120 градусов и прикрепите снова, либо замените на новую.

7.3) Установка насадки для пылеудаления

Как показано на рисунке 1.

8. РАБОТА

8.1) Включение / выключение (рис. 2)

Прежде всего удостоверьтесь, что кабель и вилка не повреждены.

- Установите вилку в розетку
- Включите инструмент переводя клавишу вкл/выкл (4) вперёд в положение (1).
- Выключите инструмент переводя клавишу вкл/выкл назад в положение (0).

8.2) Регулировка скорости (рис. 3)

Скорость может быть установлена в одну из 6 позиций. 1 означает наименьшую скорость, тогда как 6 – наибольшую.

Вы можете регулировать скорость посредством вращения колесика регулировки (3) для выбора оптимального режима работы.

8.3) Советы

8.3.1) Выбор применяемой насадки (аксессуара)

Насадка (аксессуар)	Материал
Погружная пика по дереву	Древесные материалы, пластик, штукатурка, другие мягкие материалы.
Скребок	Древесина, краска, ковровое покрытие, силикон и другие эластичные материалы
Шлифовальный блок	Зависит от шлифовальной бумаги

8.3.2) Пиление



Используйте только пильные насадки без повреждений. Гнутые, деформированные или повреждённые другим способом полотна могут сломаться



Погружное пиление можно применять только при обработке мягких материалов, таких как древесина, гипсокартон и схожих.

Перед пилением древесины, ДСП, других строительных материалов, проверьте их на включение посторонних объектов, таких как гвозди, шурупы и тому подобные. При наличии удалите их, например, пильной насадкой по металлу, или другим способом.

8.3.3) Шлифование

Величина съёма и интенсивность зависят от выбора шлифовальной бумаги, установленной скорости колебаний электроинструмента и прилагаемого давления.

Только бумага без дефектов позволяет шлифовать равномерно и продлить срок службы инструмента.

Прилагайте постоянное (одинаковое) давление при шлифовании, это увеличит срок службы используемой шлифовальной бумаги.

Дополнительное давление не повышает величину съёма материала при шлифовании, но повышает износ шлифовальной бумаги.

Для более точной работы с мелкими деталями или на углах можно работать кончиком шлифовальной насадки. При такой работе шлифовальная бумага быстро и неравномерно нагревается. Уменьшите скорость осцилляции позволив бумаге охлаждаться.

Шлифовальная бумага, используемая для работы с металлом не должна использоваться с другими материалами.

8.3.4) Скобление

Для скобления установите высокую скорость колебаний (осцилляции).

При работе на мягких материалах (например, древесина) устанавливайте малый угол и не без нажима. В противном случае скребок может врезаться в поверхность.

9. ОЧИСТКА И ОБСЛУЖИВАНИЕ.



Перед любыми работами с оборудованием, отключите инструмент от сети.

- Содержите вентиляционные отверстия в чистоте для предотвращения перегрева двигателя.
- После каждого использования очищайте сопло для удаления стружки мягкой тканью.
- Если грязь плохо удаляется, используйте мягкую ткань, смоченную в мыльном растворе.
- Никогда не используйте растворители, такие как бензин, спирт, аммиак (нашатырь) и др. они могут повредить пластиковые части.



Убедитесь в том, что вода не попала внутрь инструмента!

10. ТЕХНИЧЕСКИЕ ХАРАКТЕРИСТИКИ

Модель	CMT11
Напряжение	220/240 В
Частота	50/60 Гц
Мощность	300 Вт
Скорость без загрузки	15000 – 21000 колебаний/мин
Вес Фрезер	1,5 Кг

11. ШУМ

Шумовое загрязнение измерено в соответствии стандартам (K=3)

Акустическое давление (LpA)	82 дБ
Акустическая мощность (LwA)	93 дБ



ВНИМАНИЕ: используйте защиту органов слуха (наушники / беруши) при звуковом давлении более 85 дБ.

Вибрация	19,7 м/с ²	K = 1,5 м/с ²
----------	-----------------------	--------------------------

12. ГАРАНТИЯ

CMT гарантирует покупателю продукта, что если любая часть будет доказано дефектной ввиду брака материала или по вине производителя в течение 12-ти месяцев с момента покупки, CMT починит или заменит бракованную деталь бесплатно.

Данная гарантия не применима при коммерческом использовании и не распространяется на износ или случайное повреждение в результате грубого обращения или нецелевого использования инструмента.

Если инструмент имеет недостаток или требует обслуживания, пожалуйста обратитесь в ближайший авторизованный сервисный центр CMT.

Гарантия не включает никакие расходы по пересылке от или к клиенту.

13. ОКРУЖАЮЩАЯ СРЕДА



Если инструмент требует замены, не выкидывайте его с бытовым мусором. Его необходимо утилизировать в соответствии с положениями о безопасности об окружающей среде.

Отходы электрооборудования не должны выкидываться с обычным мусором. Пожалуйста утилизируйте. Обратитесь к местному представительству или продающей организации за советом по утилизации.

14. СООТВЕТСТВИЕ ТЕХНИЧЕСКОМУ РЕГЛАМЕНТУ

Подписано:

CMT Utensili S.p.A.

Адрес:

Via della Meccanica
61122 Pesaro - Fraz. Chiusa di Ginestreto
Italia
Tel. #39 0721 48571

Заявляет, что

Продукт: Мультиинструмент
Модель: CMT11

соответствует основным требованиям и другим соответствующим положениям применимых европейских директив, основанных на применении европейских гармонизированных стандартов. Любое несанкционированное изменение устройства аннулирует эту декларацию.

Европейские Директивы
2011/65/EU
2006/42/EC
2004/108/EC

Европейские гармонизированные стандарты

EN60745-1: 2009
EN607 45-2-4: 2009
EN55014-1: 2006
EN55014-2: 1997
EN61000-3-2: 2006
EN61000-3-3: 2013

Разработчик технической документации
CMT Utensili S.p.A.

Акты подписаны от лица компании исполнительным директором



Подпись: Marcello Tommassini
Председатель

17/03/2016

CE  **RoHS**

© C.M.T UTENSILI S.P.A.

®: CMT, the CMT logo and the orange color applied to tool surfaces are trademarks of C.M.T. UTENSILI S.P.A. This document has been sent for your personal use only. All usage and reproduction is forbidden without written permission from C.M.T. UTENSILI S.P.A.

Any brand names mentioned in CMT product catalogues and on the CMT website are the property of their respective owners.

®: CMT, el logotipo CMT y el color anaranjado del revestimiento de la superficie de las herramientas son marcas registradas de C.M.T. UTENSILI S.p.A.

Este documento ha sido enviado para uso personal. Se prohíbe cualquier uso diferente y/o reproducción sin previa autorización escrita de C.M.T. UTENSILI S.p.A.

Cualquier otra marca presente en el sitio Web y en los catálogos CMT es propiedad de su respectivo fabricante.

®: CMT, les logos CMT, CMT ORANGE TOOLS et la couleur orange du revêtement de la surface des outils sont des marques déposées de la société C.M.T. Utensili S.p.A.

Ce document vous a été envoyé exclusivement à usage personnel. Toute utilisation et ou reproduction de celui-ci est interdite sans l'autorisation expresse de son propriétaire.

Toutes les autres marques mentionnées sur ce site et dans les catalogues CMT sont la propriété de leurs fabricants respectifs.

®: CMT, i loghi CMT, CMT ORANGE TOOLS e il colore arancio del rivestimento della superficie degli utensili sono marchi registrati di C.M.T. Utensili S.p.A.

Questo documento Vi è stato inviato solo ad uso personale. Qualsiasi altro uso e/o riproduzione di esso è vietata senza preventiva autorizzazione scritta rilasciata da C.M.T. UTENSILI S.P.A.

Ogni altro marchio riportato in questo sito e nei cataloghi dei prodotti CMT rimane di proprietà dei rispettivi produttori.

®: CMT, die CMT Logos, CMT ORANGE TOOLS und die orangene Farbe der Werkzeugflächen sind eingetragene Warenzeichen von C.M.T. Utensili S.p.A.

Dieses Dokument wurde Ihnen nur zur privaten Nutzung zugesendet. Jede Art von Nutzung und/oder Vervielfältigung ist ohne die schriftliche Genehmigung von CMT nicht erlaubt.

Alle anderen Markennamen, die sich auf dieser Seite und in den CMT-Katalogen befinden, sind das Eigentum ihrer bezüglichen Hersteller.

®: CMT, logo CMT, CMT ORANGE TOOLS oraz pomarańczowy kolor pokrycia powierzchni narzędzi są zarejestrowanymi znakami towarowymi firmy C.M.T. Utensili S.P.A. Dokument ten został Państwu przesłany wyłącznie do użytku osobistego. Jakkolwiek inne użycie i/lub kopiowanie dokumentu jest zabronione bez wcześniejszej pisemnej zgody firmy C.M.T. UTENSILI S.P.A.

Wszystkie znaki towarowe marek wymienionych w katalogu CMT oraz na stronie internetowej CMT są własnością ich prawnych właścicieli.

® (права на товарные знаки): название CMT, логотип CMT и оранжевый цвет, используемый для окраски инструмента C.M.T. UTENSILI S.P.A.

Прочие товарные знаки и названия брендов, упоминаемые на сайте и в каталогах CMT являются собственностью соответствующих компаний и производителей. © C.M.T. UTENSILI S.P.A.

Данный документ предоставлен для вашего персонального использования. Любое цитирование, перепечатка или тиражирование запрещено без письменного разрешения C.M.T. UTENSILI S.P.A.

Любая торговая марка, упомянутая в каталоге CMT и на интернет-сайте CMT является собственностью правообладателей.



www.cmtorangetools.com

Imported by

CMT ORANGE TOOLS®